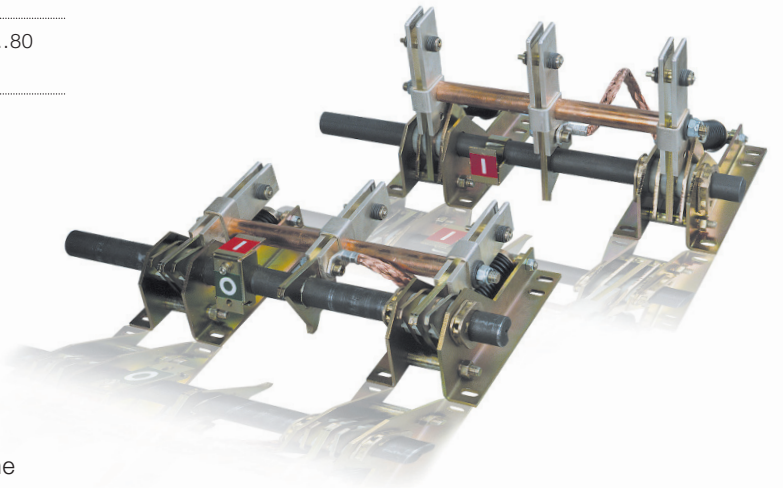


EK6 Earthing switch

Rated voltage	(kV)	12	17,5	24	36	40,5
Short-circuit making current	(kA)	...120	...100	...63	...80	...80



Safe

The snap-action closing mechanism is independent of the operation.
Sufficiently dimensioned to carry short-circuit making current.

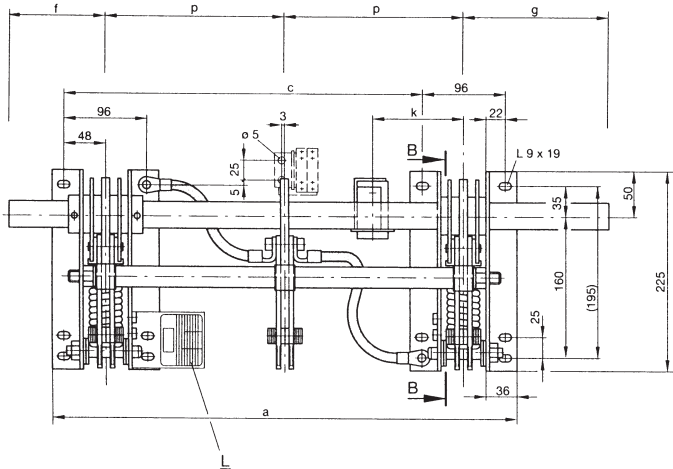
Flexible

Earthing switch active parts are delivered assembled with separate fixed earthing contacts prepared for installation. Various pole centres can be used when earthing switches are installed in switchgear or separately. Optionally a manual or motor operating mechanism can be used.

Economic

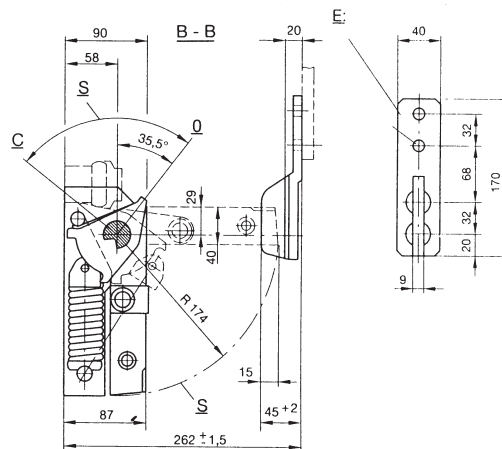
Compact design with minimal space requirements.

Earthing switch 12-17.5-24 kV



- E Fixed earthing contact
- L Earthing switch rating plate
- S Switching angle
- C Closed
- O Open

Sectional view of the earthing switch 12 kV, 80 kA



Earthing switch EK6	Rated voltage	Rated withstand impulse voltage	Rated short-time withstand current	Short- circuit duration	Short- circuit making current	Dimensions					Height	Depth	Weight
						Width							
Type	U	U _i	I _{th}	th	I _{max}	p	a	c	g	f			
	kV	kV	kA	s	kA	mm	mm	mm	mm	mm	mm	mm	kg
EK6-R-1208-Z-150	12	75	31,5	3	80	150	424	300	247	48	225	255	11
EK6-R-1208-P-150	12	75	31,5	3	80	150	424	300	195	100	225	255	11
EK6-1208-210	12	75	31,5	3	80	210	544	420	247	58	225	255	12
EK6-1208-275	12	75	31,5	3	80	275	674	550	195	100	225	250	13
EK6-1208-150	12	75	31,5	3	80	150	424	300	160	75	225	262	13
EK6-1208-210	12	75	31,5	3	80	210	544	420	175	50	225	262	14
EK6-1208-275	12	75	31,5	3	80	275	674	550	210	50	225	262	16
EK6-1212-210	12	75	40	3	120	210	544	420	175	60	225	262	31
EK6-1212-275	12	75	50	1	120	275	674	550	210	50	225	262	31
EK6-1706-150	17,5	95	31,5	3	80	150	424	300	160	75	225	262	13
EK6-1706-210	17,5	95	31,5	3	80	210	544	420	217	58	225	321	14
EK6-1706-210	17,5	95	31,5	3	80	210	544	420	175	60	225	262	14
EK6-1706-275	17,5	95	31,5	3	80	275	674	550	210	50	225	262	16
EK6-1710-210	17,5	95	40	3	100	210	544	420	145	60	253	265	31
EK6-1710-275	17,5	95	40	3	100	275	674	550	180	50	253	265	31
EK6-1710-275	17,5	95	40	3	100	275	674	550	250	50	253	265	31
EK6-2406-210	24	125	25	3	63	210	544	420	47	258	225	321	12
EK6-R-2406-Z-210	24	125	25	3	63	210	544	420	258	47	225	321	12
EK6-R-2406-P-210	24	125	25	3	63	210	544	420	190	115	225	321	12
EK6-2406-275	24	125	25	3	63	275	674	550	120	55	225	321	14
EK6-2406-210	24	125	25	3	63	210	544	420	175	50	225	321	14
EK6-2406-275	24	125	25	3	63	275	674	550	210	50	225	321	16
EK6-2406-210	24	125	25	3	63	210	544	420	175	50	225	321	14
EK6-2406-275	24	125	25	3	63	275	674	550	210	50	225	321	16
EK6-3608-280	36	170	31,5	3	80	280	684	(560)	77	315	410	481	50
EK6-4008-280	40,5	200	31,5	3	80	280	684	(560)	77	315	410	481	55

1VL000025 Rev.2 en 2009.04.02

ABB s.r.o.

Videnska 117

619 00 Brno, Czech republic

E-mail: info.ejf@cz.abb.com

Tel.: +420 547 152 413

Fax: +420 547 152 190

The data and illustrations in this catalogue are not binding. We reserve the right to make changes of the content, in the course of technical development of the product.