



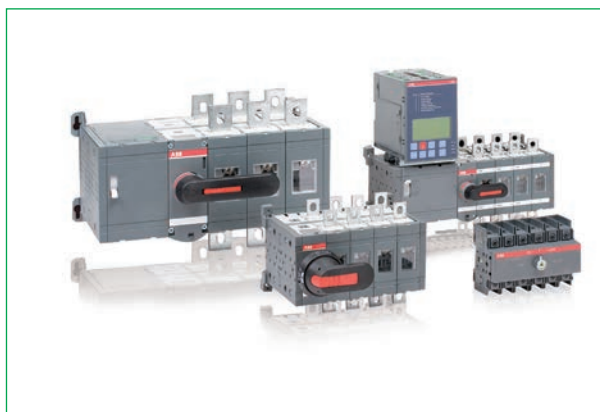
Short form catalogue

Switchgear

OT - OTC switch disconnectors

Switchgear

Switch disconnectors



Contents

Switch disconnectors

Introduction	4
Overview	6
OT16...4000 disconnectors	8
Accessories	11

Changeover & transfer switches

Overview	38
OT..C16...3200 manual changeover switches	42
OTM40...2500 motorised changeover switches	45
OT160...1600 automatic changeover switches	51
Accessories	53

Switch-disconnectors 16 to 4000 Amperes

High performance, compact solution



The most compact solution

Possible thanks to a uniquely short current path and a double-sided spring construction combined with a small amount of components. ABB's switches therefore have a small footprint area, allowing installation in confined spaces.

- ▶ Space savings mean cost reduction

Quick and perfect installation every time

- Base, door or DIN rail mounted
- Installation in any direction: horizontal, vertical or even at the ceiling

- A wide variety of accessories to customize the installation such as handles shafts, auxiliary contacts, cabling accessories and additional power poles.

- ▶ Flexibility to plan your installation

Switches from 16 to 125 Amperes can be snap-on or screw-mounted and switches from 160 to 4000 Amperes have adjustable feet that allow top or side mounting. Snap-on accessories available.

- ▶ Easy to install



ABB offers AC and DC rated switch-disconnectors suitable for diverse applications such as machinery, power distribution, switchboards, motor control centers or photovoltaic installations.

High performance

ABB switch-disconnectors have a powerful construction and quick-make/ quick-break operation features that enhance performance.

Full I_{th} ratings can be used in both open air and enclosures.

- ▶ There is no need of derating or increasing the size of the enclosure.

AC switch-disconnectors have full AC-23A current ratings for voltage levels up to 690/1000 V

- ▶ Suitable for diverse applications

ABB's offering includes manual and motorized switches from 16 to 4000 Amperes.



OT switch disconnectors

16 4000 A 690V

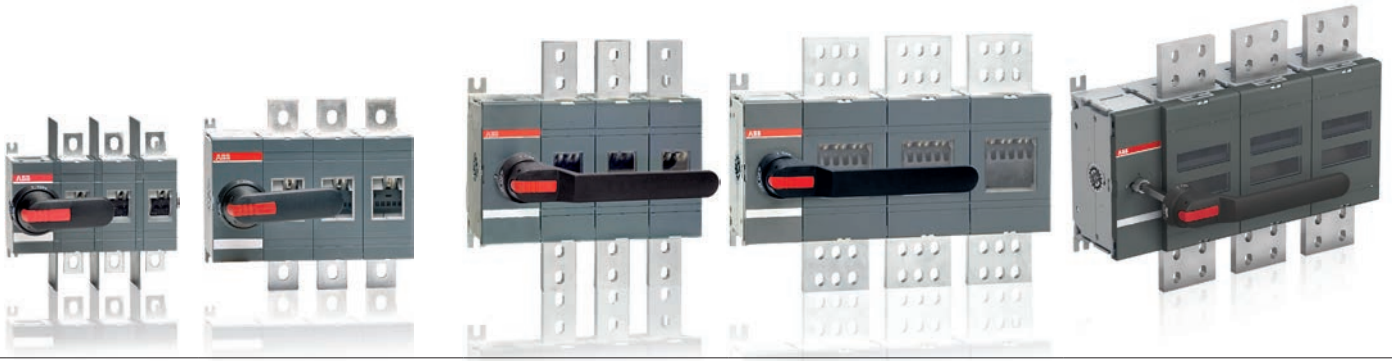


		OT16F	OT25F	OT40F	OT63F	OT80F	OT100F	OT125F	OT160EV	OT200E	OT250E	OT315E	OT400E			
		OT16F	OT25F	OT40F	OT63F	OT80F	OT30F	OT60F	OT100F		OT200U					
Switch size		16	25	40	63	80	30	60	100	125	160	200	250	200	315	400
IEC	I_{th} [A]	25	32	40	63	80			115	125	160	200	250		315	400
	I_e /AC22A, 415V [A]	16	25	40	63	80			100	125	160	200	250		315	400
	I_e /AC23A, 415V [A]	16	20	23	45	75			80	90	160	200	250		315	400
UL	Ampere rating [A]	20	30	40	60	80	30	60	100					200		

*) Please consult us for UL 98 ratings above 1200 A



Motor operation																
IEC		OTM40F	OTM63F	OTM80F	OTM100F	OTM125F	OTM160E	OTM200E	OTM250E	OTM315E	OTM400E	OTM630E	OTM800E			
Switch size [A]		40	63	80	100	125	160	200	250	315	400	630	800			



	OT630E	OT1000E	OT2000E	OT3200E
	OT800E	OT1250E	OT2500E	OT4000E
		OT1600E		
OT400U	OT600U	OT800U	*)	
		OT1200U		
400	600 630 800	800 1000 1200 1250 1600	2000 2500	3200 4000
	630 800	1000 1250 1600	2000 2500	3200 4000
	630 800	1000 1250 1600	2000 2500	
	630 800	1000 1250 1600		
400	600	800 1200		



OTM1000E	OTM1600E	OTM2000E
OTM1250E		OTM2500E
1000 1250	1600	2000 2500

Switch disconnectors

OT16 ...160 base & door mounted



OT16...40F3



OT63...80F3



OT100...125F3



OT63...80M4



OT125FLB3



OT100...125M4

Front operated switch-disconnectors, base and DIN-rail mounting OT 16...160

Including protected terminal clamps, IP20. Handle and shaft have to be ordered separately.

No of Poles	Ith (open) [A]	Cable Cross Section mm ²	Operational Currents AC22A/AC23A 400V	Part Number	Product Hierarchy 2200003 Order Code
3	25	0.75...10	16/16	OT16F3	1SCA104811R1001
4				OT16F4N2	1SCA104829R1001
3	32		25/20	OT25F3	1SCA104857R1001
4				OT25F4N2	1SCA104886R1001
3	40		40/23	OT40F3	1SCA104902R1001
4				OT40F4N2	1SCA104932R1001
3	80	1.5...35	80/75	OT63F3	1SCA105332R1001
4				OT63F4N2	1SCA105365R1001
3	100		80/75	OT80F3	1SCA105798R1001
4				OT80F4N2	1SCA105413R1001
3	115		100/80	OT100F3	1SCA105004R1001
4				OT100F4N2	1SCA105018R1001
3	125	125/90	OT125F3	1SCA105033R1001	
4			OT125F4N2	1SCA105051R1001	
3	125	10...70	125/90	OT125FL3 ⁽¹⁾	1SCA112372R1001
3				OT125FLA3 ⁽²⁾	1SCA114832R1001
3				OT125FLB3 ⁽³⁾	1SCA114833R1001

¹⁾ Extended terminals on both sides of the switch ²⁾ Extended terminals on top side only ³⁾ Extended terminals on bottom side only

Front operated, 6- and 8- pole switch-disconnectors

Including protected terminal clamps, IP20

No of Poles	Ith (open) [A]	Cable Cross Section [mm ²]	Operational Currents AC22A/AC23A 400V	Part Number	Product Hierarchy 2200003 Order Code
6	25	0.75...10	16/16	OT16F6	1SCA104834R1001
6	32		25/20	OT25F6	1SCA104880R1001
6	40		40/23	OT40F6	1SCA104936R1001
6	63	1.5...35	63/45	OT63F6	1SCA105379R1001
6	80		80/75	OT80F6	1SCA105427R1001
6	115	10...70	100/80	OT100F6	1SCA105021R1001
6	125		125/90	OT125F6	1SCA105057R1001
8	25	0.75...10	16/16	OT16F8	1SCA104836R1001
8	32		25/20	OT25F8	1SCA104882R1001
8	40		40/23	OT40F8	1SCA104938R1001
8	63	1.5...35	63/45	OT63F8	1SCA105381R1001
8	80		80/75	OT80F8	1SCA105429R1001
8	115	10...70	100/80	OT100F8	1SCA105022R1001
8	125		125/90	OT125F8	1SCA105059R1001



OT16...40F6



OT63...80F6



OT16...40FT3



OT63...80FT3



OT100...125FT3

Door mounted switch-disconnectors OT 16...125

Including protected terminal clamps, IP20. Handle and shaft have to be ordered separately.

No of Poles	Ith (open) [A]	Cable Cross Section mm ²	Operational Currents AC22A/AC23A 400V	Part Number	Product Hierarchy 2200003 Order Code
3	25	0.75...10	16/16	OT16FT3	1SCA104838R1001
4				OT16FT4N2	1SCA105711R1001
3	32		25/20	OT25FT3	1SCA104884R1001
4				OT25FT4N2	1SCA104900R1001
3	40		40/23	OT40FT3	1SCA104940R1001
4				OT40FT4N2	1SCA104956R1001
3	80	1.5...35	80/75	OT63FT3	1SCA105382R1001
4				OT63FT4N2	1SCA105393R1001
3	100		80/75	OT80FT3	1SCA105431R1001
4				OT80FT4N2	1SCA105499R1001
3	115		100/80	OT100FT3	1SCA105023R1001
4				OT100FT4N2	1SCA105031R1001
3	125	125/90	OT125FT3	1SCA105060R1001	
4			OT125FT4N2	1SCA105066R1001	

Switch disconnectors

OT160 ... 800 base mounted



OT315...400E03P



OT630...800E03P



OT630...800E04P



OT630...800E12P



OT630...800E22P

Front operated switch-disconnectors, with pistol handle OT 160...800E

Including a black ON-OFF plastic handle and shaft as standard. The handle is IP65 protected, padlockable in the OFF-position and with door interlock in the ON-position. The shaft is adjustable for a range of installation depths.

No of Poles	Ith (open) [A]	Operational Currents AC22A/AC23A 400V	Part Number	Product Hierarchy 2200003 Order Code
3	200	200/160	OT160EV03P	1SCA120514R1001
4			OT160EV04P	1SCA120521R1001
3			OT160EV12P	1SCA120529R1001
4			OT160EV22P	1SCA120537R1001
3	200	200/200	OT200E03P	1SCA022712R0800
4			OT200E04P	1SCA022713R4930
3			OT200E12P	1SCA022721R3990
4			OT200E22P	1SCA022721R4020
3	250	250/250	OT250E03P	1SCA022710R0100
4			OT250E04P	1SCA022710R0520
3			OT250E12P	1SCA022721R4110
4			OT250E22P	1SCA022721R4290
3	315	315/315	OT315E03P	1SCA022718R8510
4			OT315E04P	1SCA022719R1730
3			OT315E12P	1SCA022727R4190
4			OT315E22P	1SCA022727R4270
3	400	400/400	OT400E03P	1SCA022718R8780
4			OT400E04P	1SCA022719R1810
3			OT400E12P	1SCA022727R5750
4			OT400E22P	1SCA022727R5830
3	630	630/630	OT630E03P	1SCA022718R8940
3+N			OT630E03N3P	1SCA022779R4860
4			OT630E04P	1SCA022719R2030
3			OT630E12P	1SCA022753R4790
4	OT630E22P	1SCA022753R4870		
3	800	800/800	OT800E03P	1SCA022718R9410
3+N			OT800E03N3P	1SCA022779R4780
4			OT800E04P	1SCA022719R2110
3			OT800E12P	1SCA022753R5170
4	OT800E22P	1SCA022753R5250		

Shafts & handles included as standard

Suitable for switches	Included shaft	Included handle	Included terminal bolts
OT160EV...250_P	QXP6X210	OHB65J6	M 8x25
OT315...400_P	QXP12X185	OHB95J12	M 10x30
OT630...800_P	QXP12X185	OHB125J12	M 12x40

Switch disconnectors

OT1000 ...4000 base mounted



OT1000...1250E03P



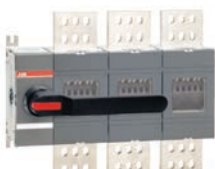
OT1000...1250E22P



OT1600E04P



OT1600E12P



OT2000...2500E03P



OT3200...4000E03P



OT3200...4000E04P

Front operated switch-disconnectors OT 1000...4000

Including terminal bolt kit. In OT_P -types a black ON-OFF plastic handle and shaft as standard. The handle is IP65 protected, padlockable in the OFF-position and with door interlock in the ON-position. The shaft can be adjusted to different installation depths.

No of Poles	Ith (open) [A]	AC22A/AC23A 400V	Part Number	Product Hierarchy 2200003 Order Code
3	1000	1000/1000	OT1000E03P	1SCA022860R5930
3+N			OT1000E03N3P	1SCA100761R1001
4			OT1000E04P	1SCA022860R6150
3			OT1000E12P	1SCA022871R5520
4	1250	1250/1250	OT1000E22P	1SCA022871R5610
3			OT1250E03P	1SCA022860R6230
3+N			OT1250E03N3P	1SCA022865R7060
4			OT1250E04P	1SCA022860R6310
3	1600	1600/1250	OT1250E12P	1SCA022871R5790
4			OT1250E22P	1SCA022871R5870
3			OT1600E03P	1SCA022860R6580
3+N			OT1600E03N3P	1SCA022865R6920
4	2000	2000/-	OT1600E04P	1SCA022860R6740
3			OT1600E12P	1SCA022871R5950
4			OT1600E22P	1SCA022871R6090
3			OT2000E03P	1SCA108036R1001
3+N	2500	2500/-	OT2000E03N3P	1SCA108037R1001
4			OT2000E04P	1SCA108038R1001
3			OT2000E12P	1SCA108039R1001
4			OT2000E22P	1SCA108041R1001
3	3200	3200/3200	OT2500E03P	1SCA104972R1001
3+N			OT2500E03N3P	1SCA108035R1001
4			OT2500E04P	1SCA105140R1001
3			OT2500E12P	1SCA104978R1001
4	3800	3200/3200	OT2500E22P	1SCA105156R1001
3			OT3200E03	1SCA128480R1001
4			OT3200E04	1SCA128479R1001
3			OT4000E03	1SCA124847R1001
4	3200	3800/3800	OT4000E04	1SCA124855R1001
3			OT3200E03P	1SCA128481R1001
4			OT3200E04P	1SCA128482R1001
3			OT4000E03P	1SCA124848R1001
4	3800	3800/3800	OT4000E04P	1SCA124856R1001

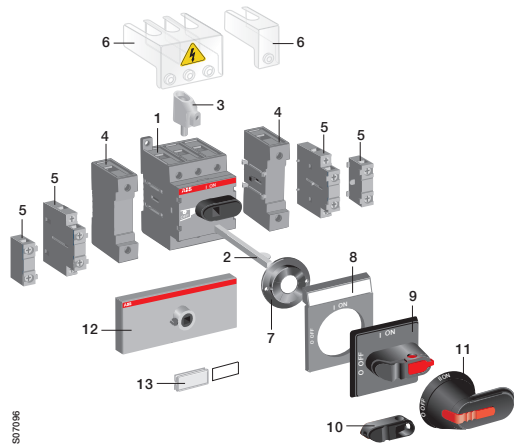
Shafts & handles included as standard

Suitable for switches	Included shaft	Included handle	Included terminal bolts
OT1000...1250_P	OXP12X280	OHB274J12P	M12X50
OT1600_P	OXP12X280	OHB274J12P	M12X60
OT2000...2500_P	OXP12X280	OHB274J12P	M12X60
OT3200...4000E02...04	-	-	M12X60
OT3200...4000E02...04P	OXP12X280	OHB274J12	M12X60

Accessories

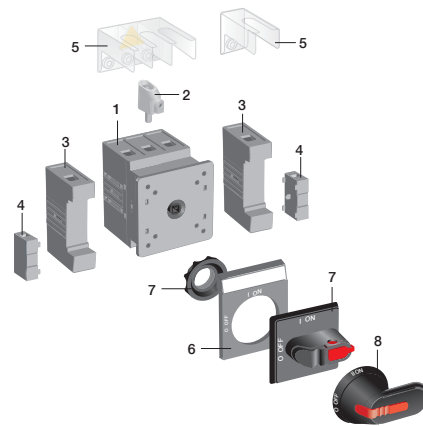
Selection overview

Base Mounted OT16F ... OT125F



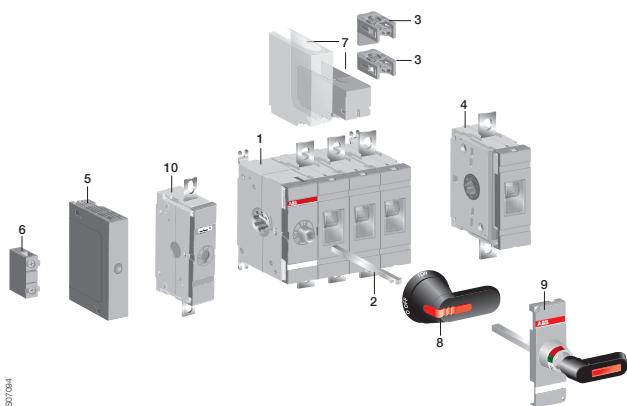
- 1 Switch-disconnector | 2 Extended shaft | 3 Terminal clamp | 4 Fourth pole, N- and PE-terminals
5 Auxiliary contact | 6 Terminal shroud | 7 Shaft alignment ring | 8 Legend plate | 9 Selector type handle
10 Handle knob | 11 Pistol type handle | 12 Conversion kit | 13 Labelling accessories

Door Mounted OT16F ... OT125F



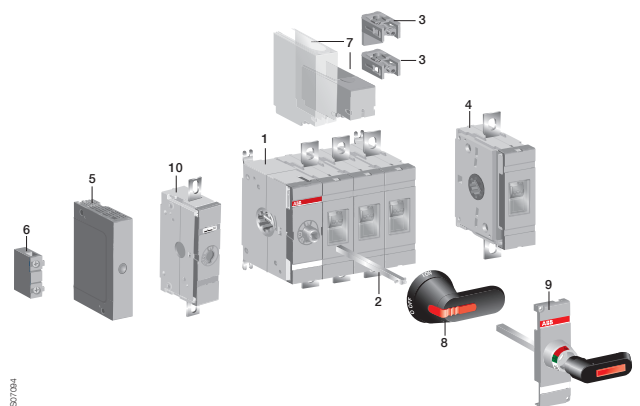
- 1 Switch-disconnector | 2 Terminal clamp | 3 Fourth pole, N- and PE-terminals
4 Auxiliary contact | 5 Terminal shroud | 6 Legend plate | 7 Selector type handle | 11 Pistol type handle

Base Mounted OT160EV ... OT1600



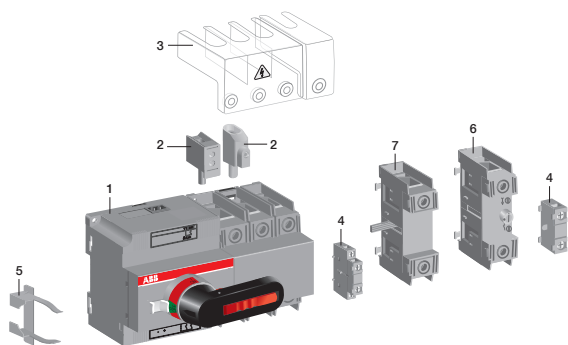
- 1 Switch-disconnector | 2 Extended shaft | 3 Terminal clamp | 4 Fourth pole, N- and PE-terminals
5 Modular for auxiliary contact | 6 Auxiliary contact | 7 Terminal shroud | 8 Pistol type handle
9 Direct mounting type handle | 10 Detachable neural link

Base Mounted OT2000 ... OT4000



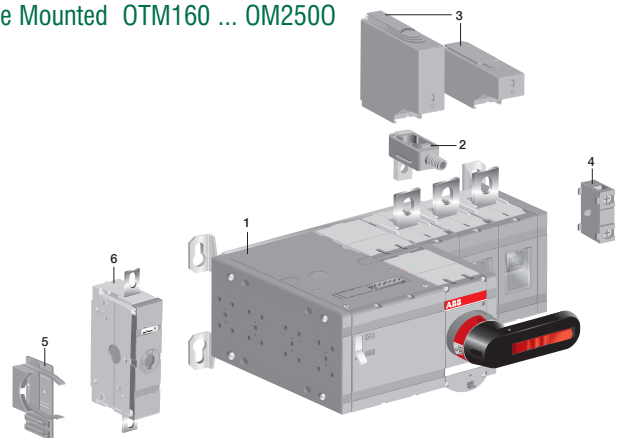
- 1 Switch-disconnector | 2 Extended shaft | 3 Terminal clamp | 4 Fourth pole, N- and PE-terminals
5 Modular for auxiliary contact | 6 Auxiliary contact | 7 Terminal shroud | 8 Pistol type handle
9 Direct mounting type handle | 10 Detachable neural link

Base Mounted OTM40 ... OTM125



- 1 Motorised switch-disconnector | 2 Terminal clamp | 3 Terminal shroud | 4 Auxiliary contact
5 Storage for handle and fuses | 6 Detachable neural link | 7 Fourth pole

Base Mounted OTM160 ... OM2500



- 1 Motorised switch-disconnector | 2 Terminal clamp | 3 Terminal shroud | 4 Auxiliary contact
5 Storage for handle and fuses | 6 Detachable neural link | 7 Fourth pole

Switch disconnectors accessories

Operating handles

Handle knobs, for base and DIN-rail mounted switches

Mounting directly to the switch, no shaft needed.



OHRS2



OHBS1



OHBS3



OHRS3



OHRS9

Colour	Handle length [mm]	Suitable for switches	Part Number	Product Hierarchy 2200001 Order Code
--------	--------------------	-----------------------	-------------	--------------------------------------

Padlockable in 0-position with one padlock with bail diameter 5 mm

Black	37	OT16...40F3/F4	OHBS12	1SCA108252R1001
Red	37	OT16...40F3/F4	OHRS12	1SCA108253R1001
Black	40	OT63...125F3/F4, OT16...40F6/F8	OHBS2	1SCA109089R1001
Black	40	OT63...125F3/F4, OT16...40F6/F8	OHBS2/1	1SCA109090R1001
Red	40	OT63...125F3/F4, OT16...40F6/F8	OHRS2	1SCA108598R1001
Red	40	OT63...125F3/F4, OT16...40F6/F8	OHRS2/1	1SCA108599R1001

Non-padlockable

Black	31	OT16...80F3/F4	OHBS1	1SCA109087R1001
Black	31	OT16...80F3/F4	OHBS1/1	1SCA109088R1001
Red	31	OT16...80F3/F4	OHRS1	1SCA109095R1001
Red	31	OT16...80F3/F4	OHRS1/1	1SCA109096R1001
Black	39	OT16...125F3/F4, OT16...40F6/F8	OHBS3	1SCA108320R1001
Black	39	OT16...125F3/F4, OT16...40F6/F8	OHBS3/1	1SCA108319R1001
Red	39	OT16...125F3/F4, OT16...40F6/F8	OHRS3	1SCA108667R1001
Red	39	OT16...125F3/F4, OT16...40F6/F8	OHRS3/1	1SCA108668R1001
Black	72	OT63...125F6/F8	OHBS9	1SCA108665R1001
Black	72	OT63...125F6/F8	OHBS9/1	1SCA108689R1001
Red	72	OT63...125F6/F8	OHRS9	1SCA108666R1001
Red	72	OT63...125F6/F8	OHRS9/1	1SCA108690R1001

Handle type	Shaft through the handle	45 mm cut-out enable*
OHBS1 _ , OHRS1 _	No	Yes
OHBS12, OHRS12	Yes	Yes
OHBS2 _ , OHRS2 _	No	Yes
OHBS3 _ , OHRS3 _	No	Yes
OHBS9 _ , OHRS9 _	No	No

* in I-position the handle shall remain within the cut-out height

Switch disconnectors accessories

Operating handles

Selector type handles, for base and DIN-rail mounted switches

For shaft diameter 6 mm, door drilling 22.5 mm.

The type and the ordering numbers are for one piece. Indication I-O and ON-OFF.



OHBS3AH



OHYS3AH



OHBS2AJ



OHYS2AJ



OHBS2AJ_EH

Colour	Suitable for switches	Part Number	Product Hierarchy 2200001 Order Code
--------	-----------------------	-------------	---

IP54 handles, NEMA 1

Black	OT16...80F	OHBS1AH	1SCA102680R1001
Red-yellow	OT16...80F	OHYS1AH	1SCA105290R1001
Silver	OT16...80F	OHSS1AH	1SCA105274R1001
Grey	OT16...80F	OHGS1AH	1SCA105261R1001

Door interlock in ON-position

Black	OT16...80F	OHBS1AH1	1SCA105210R1001
Red-yellow	OT16...80F	OHYS1AH1	1SCA105291R1001
Silver	OT16...80F	OHSS1AH1	1SCA105275R1001
Grey	OT16...80F	OHGS1AH1	1SCA105262R1001

Padlockable with one padlock with bail diameter 5...6.3 mm

Black	OT16...125F	OHBS3AH	1SCA105234R1001
Red-yellow	OT16...125F	OHYS3AH	1SCA105325R1001
Silver	OT16...125F	OHSS3AH	1SCA105283R1001
Grey	OT16...125F	OHGS3AH	1SCA105270R1001

Padlockable with one padlock with bail diameter 5...6.3 mm, door interlock in ON-position

Black	OT16...125F	OHBS3AH1	1SCA105235R1001
Red-yellow	OT16...125F	OHYS3AH1	1SCA105326R1001
Silver	OT16...125F	OHSS3AH1	1SCA105284R1001
Grey	OT16...125F	OHGS3AH1	1SCA105271R1001

IP65 handles, NEMA 1, 3R, 12

Padlockable with max. 3 padlocks with bail diameter 5...8 mm, door interlock in ON-position, defeatable

Black	OT16...125F	OHBS2AJ	1SCA105213R1001
Red-yellow	OT16...125F	OHYS2AJ	1SCA105296R1001
Silver	OT16...125F	OHSS2AJ	1SCA105278R1001
Grey	OT16...125F	OHGS2AJ	1SCA105265R1001

Padlockable with max. 3 padlocks with bail diameter 5...8 mm, door interlock in ON-position

Black	OT16...125F	OHBS2AJ1	1SCA105215R1001
Red-yellow	OT16...125F	OHYS2AJ1	1SCA105297R1001
Silver	OT16...125F	OHSS2AJ1	1SCA105279R1001
Grey	OT16...125F	OHGS2AJ1	1SCA105266R1001

Selector type handle with metal hasp

IP65 handles, NEMA 1, 3R, 12

Padlockable with max. 3 padlocks, door interlock in the ON-position, defeatable

Black	OT16...125F	OHBS2AJEH	1SCA108230R1001
-------	-------------	-----------	-----------------

Padlockable with max. 3 padlocks, door interlock in the ON-position, non-defeatable

Black	OT16...125F	OHBS2AJ1EH	1SCA105217R1001
-------	-------------	------------	-----------------

- Door interlocking in ON-position means that the door can not be opened, when the handle is in ON-position.
This can be defeated in IP65 types to allow authorized personnel access for inspection.

Switch disconnectors accessories

Operating handles



OHBS3PH



OHYS3PH



OHBS2PJ



OHYS2PJ



OHBS3RH



OHYS3RH



OHBS2RJ



OHYS2RJ

Selector type handles, for door mounted switches

Indication I-O and ON-OFF. No separate shaft needed.
The type and the ordering numbers are for one piece.

Colour	Suitable for switches	Part Number	Product Hierarchy 2200001 Order Code
--------	-----------------------	-------------	---

Snap-on mounting, door drilling 22,5 mm

No padlocking, IP54, NEMA 1

Black	OT16...40FT	OHBS1PH	1SCA105211R1001
Red-yellow	OT16...40FT	OHYS1PH	1SCA105294R1001
Silver	OT16...40FT	OHSS1PH	1SCA105276R1001
Grey	OT16...40FT	OHGS1PH	1SCA105263R1001

Padlockable with one padlock, IP54, NEMA 1

Black	OT16...40FT	OHBS3PH	1SCA105236R1001
Red-yellow	OT16...40FT	OHYS3PH	1SCA105327R1001
Silver	OT16...40FT	OHSS3PH	1SCA105285R1001
Grey	OT16...40FT	OHGS3PH	1SCA105272R1001

Padlockable with max. 3 padlocks, IP65, NEMA 1, 3R, 12

Black	OT16...40FT	OHBS2PJ	1SCA105231R1001
Red-yellow	OT16...40FT	OHYS2PJ	1SCA105322R1001
Silver	OT16...40FT	OHSS2PJ	1SCA105280R1001
Grey	OT16...40FT	OHGS2PJ	1SCA105268R1001

Screw mounting, hole distance 36 mm

No padlocking, IP54, NEMA 1

Black	OT16...80FT	OHBS1RH	1SCA105212R1001
Red-yellow	OT16...80FT	OHYS1RH	1SCA105295R1001
Silver	OT16...80FT	OHSS1RH	1SCA105277R1001
Grey	OT16...80FT	OHGS1RH	1SCA105264R1001

Padlockable with one padlock, IP54, NEMA 1

Black	OT16...80FT	OHBS3RH	1SCA105237R1001
Red-yellow	OT16...80FT	OHYS3RH	1SCA105328R1001
Silver	OT16...80FT	OHSS3RH	1SCA105286R1001
Grey	OT16...80FT	OHGS3RH	1SCA105273R1001

Padlockable with max. 3 padlocks, IP65, hole distance 36/48 mm, NEMA 1, 3R, 12

Black	OT16...125FT	OHBS2RJ	1SCA105232R1001
Red-yellow	OT16...125FT	OHYS2RJ	1SCA105323R1001
Silver	OT16...125FT	OHSS2RJ	1SCA105281R1001
Grey	OT16...125FT	OHGS2RJ	1SCA105269R1001

- Door interlocking in ON-position means that the door can not be opened, when the handle is in ON-position.
This can be defeated in IP65 types to allow authorized personnel access for inspection.

Switch disconnectors accessories

Operating handles



OZ331_B



OZ331_RY



OZ371PB

Round padlockable handles, for base and DIN-rail mounted switches

Padlockable in 0-position, max 3 padlocks with max 8 mm hasp diameter.
Indication I-O and ON-OFF

Colour	Suitable for switches	Part Number	Product Hierarchy Order Code
--------	-----------------------	-------------	------------------------------

One hole mounting handle, IP65, NEMA 4X outdoor, size 66x66

Black	OT16...125F_	OZ331SPB	1SCA112983R1001
Red-yellow	OT16...125F_	OZ331SPRY	1SCA113097R1001

IP67, IP69K, NEMA 4X, size 66x66

Black	OT16...125F_	OZ331P67B	1SCA111427R1001
Red-yellow	OT16...125F_	OZ331P67RY	1SCA111429R1001

Handles with door coupling in ON-position, not defeatable, IP65, NEMA 4X, size 66x66

Shaft alignment ring for OZ371P

Black	OT16...125F_	OZ371PB	1SCA111684R1001
Red-yellow	OT16...125F_	OZ371PRY	1SCA111685R1001

Switch disconnectors accessories

Operating handles

Pistol type handles, for base and DIN-rail mounted switches

P65, NEMA 1, 3R, 12, padlockable with three padlocks in OFF-position, door interlock in ON-position. Screw fixing from the back side of the handle. No screws on the front ensures double insulation. The type and the ordering numbers are for one piece.



OHB_



OHY_



OHB_

Colour	Handle length mm	Part Number	Product Hierarchy 2200001 Order Code
--------	------------------	-------------	---

Suitable for switches OT16...125F, for shaft diameter 6 mm

Indication in types OHB and OHY: I-0, ON-OFF, in types OHG: I-0

Black	45	OHB45J6	1SCA022380R8770
Red-yellow	45	OHY45J6	1SCA022380R8930
Grey	45	OHG45J6	1SCA022380R8850

Suitable for switches OT160EV...250, for shaft diameter 6 mm

Indication in types OHB and OHY: I-0, ON-OFF, in types OHG: I-0

Black	65	OHB65J6	1SCA022380R9660
Red-yellow	65	OHY65J6	1SCA022380R9820
Grey	65	OHG65J6	1SCA022380R9740
Black	80	OHB80J6	1SCA022381R0240
Red-yellow	80	OHY80J6	1SCA022381R0410
Grey	80	OHG80J6	1SCA022381R0320

Indication: Test-OFF-ON/Test-0-I

Black	65	OHB65J6T	1SCA022399R8110
Red-yellow	65	OHY65J6T	1SCA022456R9540

Suitable for switches OT315...400, for shaft diameter 12 mm

Indication OHB and OHY: I-0, ON-OFF, in types OHG: I-0

Black	95	OHB95J12	1SCA022381R0830
Red-yellow	95	OHY95J12	1SCA022381R1050
Grey	95	OHG95J12	1SCA022381R0910

Indication: Test-OFF-ON/Test-0-I

Black	95	OHB95J12T	1SCA022736R1750
Red-yellow	95	OHY95J12T	1SCA022736R1910

Suitable for switches OT630...800, for shaft diameter 12 mm

Indication OHB and OHY: I-0, ON-OFF, in types OHG: I-0

Black	125	OHB125J12	1SCA022381R1560
Red-yellow	125	OHY125J12	1SCA022381R1720
Grey	125	OHG125J12	1SCA022381R1640
Black	145	OHB145J12	1SCA022381R2110
Red-yellow	145	OHY145J12	1SCA022381R2370
Grey	145	OHG145J12	1SCA132709R1001

Indication: Test-OFF-ON/Test-0-I

Black	125	OHB125J12T	1SCA022652R2220
Red-yellow	125	OHY125J12T	1SCA022652R2310
Black	145	OHB145J12T	1SCA022652R2570
Red-yellow	145	OHY145J12T	1SCA022652R2650
Black	175	OHB175J12T	1SCA022708R0740
Red-yellow	175	OHY175J12T	1SCA111508R1001

- Door interlocking in ON-position means that the door can not be opened, when the handle is in ON-position. This can be defeated in IP65 types to allow authorized personnel access for inspection.
- NEMA 4, 4x pistol handles available on request.
- Handles padlockable in all positions available on request.
- Consult us for NEMA4/4X versions.

Switch disconnectors accessories

Operating handles

Pistol type handles, for base and DIN-rail mounted switches

Padlockable with three padlocks in OFF-position, door interlock in ON- position. Screw fixing from the back side of the handle. No screws on the front ensures double insulation. The type and the ordering numbers are for one piece.



OHB150/200J12P



OHB274/330J12

Colour	Handle length mm	Part Number	Product Hierarchy 2200001 Order Code
--------	------------------	-------------	---

Suitable for switches OT1000...2500, for shaft diameter 12 mm, IP65, NEMA 1, 3R, 12

Indication OHB and OHY: I-0, ON-OFF

Black	2x150	OHB150J12P	1SCA022865R9430
Red-yellow	2x150	OHY150J12P	1SCA101586R1001
Black	2x200	OHB200J12P	1SCA022865R9510
Red-yellow	2x200	OHY200J12P	1SCA101587R1001

Indication: Test-OFF-ON/Test-0-I

Black	2x200	OHB200J12PT	1SCA106510R1001
Red-yellow	2x200	OHY200J12PT	1SCA111512R1001

Suitable for switches OT1000...2500, for shaft diameter 12 mm, NEMA 4X

Indication OHB and OHY: I-0, ON-OFF

Black	2x200	OHB200L12P	1SCA111564R1001
Red-yellow	2x200	OHY200L12P	1SCA111569R1001

Suitable for switches OT1000...4000, for shaft diameter 12 mm, IP65, NEMA 1, 3R, 12

Indication OHB and OHY: I-0, ON-OFF

Black	274	OHB274J12	1SCA115920R1001
Red-yellow	274	OHY274J12	1SCA115919R1001
Black	330	OHB330J12	1SCA115922R1001
Red-yellow	330	OHY330J12	1SCA115921R1001

Indication: Test-OFF-ON/Test-0-I

Black	274	OHB274J12T	1SCA120250R1001
Black	330	OHB330J12T	1SCA120252R1001

- Door interlocking in ON-position means that the door can not be opened, when the handle is in ON-position. This can be defeated in IP65 types to allow authorized personnel access for inspection.
- NEMA 4, 4x pistol handles available on request.
- Handles padlockable in all positions available on request.

Switch disconnectors accessories

Operating handles



OTV400EK

Direct mount handles for base mounted switches

Includes a shaft and a mechanism cover. Indication Test-OFF-ON/Test-O-I.
Padlockable with three padlocks in OFF-position.

Colour	Handle length mm	Suitable for switches	Part Number	Product Hierarchy 2200001 Order Code
Black	65	OT160EV...250	OTV250EK	1SCA022763R2700
Red-yellow	65	OT160EV...250	OTVY250EK	1SCA022772R7910
Black	95	OT315...400	OTV400EK	1SCA022763R2960
Red-yellow	95	OT315...400	OTVY400EK	1SCA022772R7830
Black	125	OT630...800	OTV800EK	1SCA022804R6340
Red-yellow	125	OT630...800	OTVY800EK	1SCA022810R2780
Black	274	OT1000...4000	OTV1000EK	1SCA106608R1001
Black	2x200	OT1000...2500	OTV1000EPK	1SCA121085R1001



OTV1000EK



OTV1000EPK

Metallic handles, for base mounted switches

For shaft diameter 12 mm, IP65, NEMA 1, 3R, 4, 4x, 12
Indication I-O, padlockable with 3 padlocks in OFF-position, door interlock in ON-position.

Colour	Handle length mm	Suitable for switches	Part Number	Product Hierarchy 2200001 Order Code
Black	320	OT1000...4000	YASDA35	1SCA104400R1001

- Door interlocking in ON-position means that the door can not be opened, when the handle is in ON-position.
This can be defeated in IP65 types to allow authorized personnel access for inspection.



YASDA35

Stainless steel handles, for base mounted switches

Stainless steel handles, indication I-O/ON-OFF, padlockable with 3 padlocks in the OFF-position, door interlock in the ON-position, IP66 (NEMA 4X).

Colour	Handle length mm	Part Number	Product Hierarchy 2200001 Order Code
For shaft diameter 6 mm			
Grey	65	OHM65L6	1SCA022739R1070

For shaft diameter 12 mm

Grey	125	OHM125L12	1SCA022739R1150
Grey	175	OHM175L12	1SCA022739R1230
Grey	275	OHM275L12	1SCA022832R4840
Grey	2x200	OHM200L12P	1SCA104439R1001

Handles for side operated switch-disconnectors For mounting on the side of the enclosure. Padlockable with three padlocks in the OFF-position, door interlock in the ON-position, IP65. The position indications are rotated 90°.



OHM65L6



OHB65J6E00S

For shaft diameter 6 mm, IP65, Nema type 1, 3R, 12

Plastic handles, black and red-yellow: I-O/ON-OFF, grey: I-O.

Black	65	OHB65J6E00S	1SCA022382R9850
Red-yellow	65	OHY65J6E00S	1SCA022382R9930
Grey	65	OHG65J6E00S	1SCA022383R4510

Plastic handles, black and red-yellow: Test/I-O/ON-OFF, grey: Test/I-O.

Black	65	OHB65J6TE00S	1SCA109016R1001
Red-yellow	65	OHY65J6TE00S	1SCA022688R0140
Grey	65	OHG65J6TE00S	1SCA109014R1001



OHY65J6E00S

For shaft diameter 12 mm, IP65, Nema type 1, 3R, 12

Plastic handles, indication I-O/ON-OFF

Black	145	OHB145J12E00S	1SCA022679R9700
-------	-----	---------------	-----------------

- Door interlocking in ON-position means that the door can not be opened, when the handle is in ON-position.
This can be defeated in IP65 types to allow authorized personnel access for inspection.

Switch disconnectors accessories

Shafts

Shafts

The type and ordering numbers are for one piece



Shaft length mm	Handle length mm	Part Number	Product Hierarchy 2200001 Order Code
-----------------	------------------	-------------	---

For selector type handles, suitable for OT16...125F

Shaft diameter 6 mm

Shaft length mm	Handle length mm	Part Number	Product Hierarchy 2200001 Order Code
85	See dimension drawings	OXs6X85	1SCA101647R1001
105		OXs6X105	1SCA108043R1001
120		OXs6X120	1SCA101654R1001
130		OXs6X130	1SCA101655R1001
160		OXs6X160	1SCA101656R1001
180		OXs6X180	1SCA101659R1001
250		OXs6X250	1SCA101660R1001
330		OXs6X330	1SCA101661R1001

For round padlockable type handles, suitable for OT16...125F

Shaft diameter 6 mm

Shaft length mm	Handle length mm	Part Number	Product Hierarchy 2200001 Order Code
60	See dimension drawings	OX6X60	1SCA111459R1001
85		OX6X85	1SCA111274R1001
105		OX6X105	1SCA111930R1001
115		OX6X115	1SCA111931R1001
130		OX6X130	1SCA111460R1001
155		OX6X155	1SCA111275R1001
200		OX6X200	1SCA111932R1001
300		OX6X300	1SCA111933R1001

For pistol type handles, suitable for OT16...125F

Shaft diameter 6 mm

Shaft length mm	Handle length mm	Part Number	Product Hierarchy 2200001 Order Code
150	See dimension drawings	OXP6X150	1SCA022295R5600
170		OXP6X170	1SCA108224R1001
265		OXP6X265	1SCA108225R1001
400		OXP6X400	1SCA108226R1001

For pistol type handles, suitable for OT160EV...250¹⁾

Shaft diameter 6 mm

Shaft length mm	Handle length mm	Part Number	Product Hierarchy 2200001 Order Code
130	109...174	OXP6X130	1SCA022057R0570
150	129...194	OXP6X150	1SCA022295R5600
161	140...205	OXP6X161	1SCA022067R1760
210	189...254	OXP6X210	1SCA022295R6080
290	269...334	OXP6X290	1SCA022042R6370

¹⁾ Longer shafts on request

Switch disconnectors accessories

Shafts

Shafts

The type and ordering numbers are for one piece



Shaft length mm	Handle length mm	Part Number	Product Hierarchy 2200001 Order Code
-----------------	------------------	-------------	---

For pistol type handles, suitable for OT315...400

Shaft diameter 12 mm

166	146...226	OXPP12X166	1SCA022325R7100
185	165...245	OXPP12X185	1SCA022325R6710
250	230...310	OXPP12X250	1SCA022325R6980
280	260...340	OXPP12X280	1SCA022137R5140
325	305...385	OXPP12X325	1SCA022042R5810
395	375...455	OXPP12X395	1SCA022042R5990
465	445...525	OXPP12X465	1SCA022042R6020
535	515...595	OXPP12X535	1SCA022042R6110

For pistol type handles, suitable for OT630...800

Shaft diameter 12 mm

250	230...345	OXPP12X250	1SCA022325R6980
280	260...375	OXPP12X280	1SCA022137R5140
325	305...420	OXPP12X325	1SCA022042R5810
395	375...490	OXPP12X395	1SCA022042R5990
465	445...560	OXPP12X465	1SCA022042R6020
535	515...630	OXPP12X535	1SCA022042R6110

For pistol type handles, suitable for OT1000...2500¹⁾

Shaft diameter 12 mm

250	221...350	OXPP12X250	1SCA022325R6980
280	251...380	OXPP12X280	1SCA022137R5140
325	296...425	OXPP12X325	1SCA022042R5810
395	366...495	OXPP12X395	1SCA022042R5990
465	436...565	OXPP12X465	1SCA022042R6020
535	506...635	OXPP12X535	1SCA022042R6110

For pistol type handles, suitable for OT3200...4000

Shaft diameter 12 mm

280	251...380	OXPP12X280	1SCA022137R5140
325	296...425	OXPP12X325	1SCA022042R5810
395	366...495	OXPP12X395	1SCA022042R5990
465	436...565	OXPP12X465	1SCA022042R6020
535	506...635	OXPP12X535	1SCA022042R6110

¹⁾ Wide versions OT1000-2500W : with shafts over 280 mm, shaft tube OXT20X210X must be used, see page 55

Switch disconnectors accessories

Shafts

Twisted shafts

Twisted shafts for pistol type handles, the shaft position is rotated 45 degrees.



OXp6X_-45



OXp12X_-45

Shaft length mm	Handle length mm	Part Number	Product Hierarchy 2200001 Order Code
-----------------	------------------	-------------	---

For pistol type handles, suitable for OT16...125F

Shaft diameter 6 mm

150	See	OXp6X150-45	1SCA022294R4400
170	dimension	OXp6X170-45	1SCA108227R1001
265	drawings	OXp6X265-45	1SCA108228R1001
400		OXp6X400-45	1SCA108229R1001

For pistol type handles, suitable for OT160EV...250

Shaft diameter 6 mm

130	109...174	OXp6X130-45	1SCA022355R9110
150	129...194	OXp6X150-45	1SCA022294R4400
210	189...254	OXp6X210-45	1SCA022294R4230
290	269...334	OXp6X290-45	1SCA022304R4290

For pistol type handles, suitable for OT315...400

Shaft diameter 12 mm

250	230...310	OXp12X250-45	1SCA022293R9400
280	260...340	OXp12X280-45	1SCA022382R0800
325	305...385	OXp12X325-45	1SCA022304R4450
395	445...525	OXp12X395-45	1SCA022749R0640
465	439...519	OXp12X465-45	1SCA022423R1770
535	515...595	OXp12X535-45	1SCA022723R2940

For pistol type handles, suitable for OT1000...2500

Shaft diameter 12 mm

250	226...355	OXp12X250-45	1SCA022293R9400
280	256...385	OXp12X280-45	1SCA022382R0800
325	301...430	OXp12X325-45	1SCA022304R4450
395	371...500	OXp12X395-45	1SCA022749R0640
465	441...570	OXp12X465-45	1SCA022423R1770
535	511...640	OXp12X535-45	1SCA022723R2940

For pistol type handles, suitable for OT3200...4000

Shaft diameter 12 mm

280	256...385	OXp12X280-45	1SCA022382R0800
325	301...430	OXp12X325-45	1SCA022304R4450
395	371...500	OXp12X395-45	1SCA022749R0640
465	441...570	OXp12X465-45	1SCA022423R1770
535	511...640	OXp12X535-45	1SCA022723R2940

Switch disconnectors accessories

Shafts

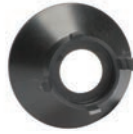


OHZX10

Shaft alignment ring

Improves the handle operation if a handle and a shaft have been poorly aligned. The type and the ordering numbers are for one piece.

Colour	Handle type	Part Number	Product Hierarchy 2200001 Order Code
Black	For pistol type handles OH _ 65...275J6...12	OHZX10	1SCA022661R3610
Black	For selector type handles OH _ 1...3	OHZX11	1SCA022708R3170
Black	For round padlockable handle OZ371P _	OZG71	1SCA111686R1001

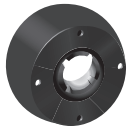


OHZX11

Extension ring for pistol type handles

Improves the handle operation if a handle and a shaft have been poorly aligned. The type and the ordering numbers are for one piece.

Colour	Suitable for handle	Part Number	Product Hierarchy 2200001 Order Code
Black	OHB _	OHZX14	1SCA022851R6590



OHZX14

Shaft support for long shafts

Shaft support

OT16...125	OETLZX58	1SCA022068R8220
------------	----------	-----------------

Shaft tube

For switch-disconnectors with wide phase distance (140 mm or 185 mm). Supporting 12 mm shafts longer than 280 mm.

OT1000...2500	OXT20X210X	1SCA103684R1001
---------------	------------	-----------------



OETLZX58



OXT20X210X

Switch disconnectors accessories

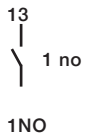
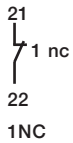
Auxiliary contacts



OA1G



OA2G11



Auxiliary contact blocks, IP20, for OT16...125F/FT_ and OT16...125M_

Contact numbering according to EN 50013. The type and the ordering numbers are for one piece. Snap-on mounting to the side of the switch.
I_{th} = 16A, cable cross section max. 2 x 2.5 mm². Early-break type OA1G10.

Switches	Function	Part Number	Product Hierarchy 2200001 Order Code
----------	----------	-------------	---

Mountable on left side, max. 2 pcs

OT16...125F_ , FT_	1NC	OA1G01	1SCA022353R4890
OT16...125F_ , FT_	1NC	OA1G01AU ¹⁾	1SCA022436R7830

Mountable on the right side, max. 2 pcs

OT16...125F_ , FT_	1NO	OA1G10	1SCA022353R4970
OT16...125F_ , FT_	1NO	OA1G10AU ¹⁾	1SCA022436R7910

Mountable on both sides, simultaneous function with the main contacts

OT16...40F_ : max. 2NO+2NC, OT63...125F: max. 4NO+4NC3)

OT16...125F_	1NO+1NC	OA2G11 ²⁾	1SCA022379R8100
--------------	---------	----------------------	-----------------

Mountable on both sides, simultaneous function with the main contacts

Snap-on mounting to the switch, including a grey cover, IP 20, width 1/2 module.

OT16...125M: 3-pole switches max 2NO+2NC , 4-pole switches max 1NO+1NC.

OT16...40M_	1NO+1NC	OA1L11	1SCA022555R9870
OT63ML_	1NO+1NC	OA2L11	1SCA022424R3190
OT125M_	1NO+1NC	OA3L11	1SCA022555R9950

¹⁾ Types _AU are gold plated for extremely difficult circumstances and low voltages.

²⁾ Not mountable on the same side as the fourth pole.

³⁾ Contact numbering: (83) (43) (53) 13 21 (61) (31) (71)
(84) (44) (54) 14 22 (62) (32) (72)

⁴⁾ Auxiliary contacts OA1G_ are available in larger packing as well. A bulk package includes 50 switches.
Type number: add a suffix: /B, e.g. OA1G01/B.

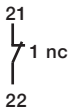
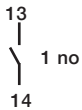
- Early break type auxiliary contacts means that in the switches, the NO aux.contacts break before the main contacts open.
- Performance data of auxiliary contacts, see page 59.
- The contact timing: see the charts on page 105.

Switch disconnectors accessories

Auxiliary contacts



OA1G10, OA3G01



OEA28

Auxiliary contact blocks, IP20, for OT160EV...4000

Contact numbering according to EN 50013.

Function	Part Number	Product Hierarchy 2200001 Order Code
Suitable for switches OT160EV...4000		
1NO	OA1G10	1SCA022353R4970
1NO	OA1G10AU ¹⁾	1SCA022436R7910
1NC	OA3G01	1SCA022456R7410
1NC	OA3G01AU ¹⁾	1SCA022819R5260

Mounting under the mechanism cover

The "test" contacts operate in ON- and OFF-positions as well as when the handle is turned to TEST-position = 45 degrees over the OFF-position. The "test indication" contacts operate only when the handle is turned to TEST-position. See the function table below. The OA1G10 (N.O.) or OA3G01 (N.C.) auxiliary contact blocks can be used as standard auxiliary contacts, "test" or "test indication" contacts. The desired functions are achieved when an auxiliary contact block is installed in a specific place shown in the mounting instruction. In order to activate the "test" and "test indication" features a handle with test function is required. See the optional handles, from page 46.

OT160EV...250:	Max. 4 test contacts or 2 test contacts + 2 test indication contacts
OT315...800:	Max. 4 test contacts + 4 test indication contacts
	Switches with _ K handle: 2+4 auxiliary contacts with _ P handle: 4+4 auxiliary contacts
OT1000...4000:	Max 4 test indication contacts + 6 test contacts + 2 early operation test contacts

The test contacts can be used as standard auxiliary contacts as well.

Handle position

Function table of auxiliary contacts

Test	open	closed
0	open	open
I	closed	closed

Mounting on the left side of the switch

Max. 8 auxiliary contact blocks with the OEA28 module.

Module for auxiliary contacts with OT160EV...4000

Screw mounting to the left side of the switch.

Suitable for switches	Type	Order number
OT160EV...4000	OEA28	1SCA022714R8810

¹⁾ Types _AU are gold plated for extremely difficult circumstances and low voltages.

²⁾ Auxiliary contacts OA1G_ are available in larger packing as well. A bulk package includes 50 switches.
Type number: add a suffix: /B, e.g. OA1G01/B.

- Early break type auxiliary contacts means that in the switches, the NO aux.contacts break before the main contacts open.

Switch disconnectors accessories

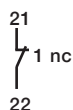
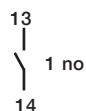
Auxiliary contacts



OA1G10, OA8G01, OA3G01



OA2G11



Auxiliary contacts, IP20, for OTM40...2500

Contact numbering according to EN 50013. The type and the ordering numbers are for one piece. Types **_AU** have gold plated contacts for harsh environments and low operating voltages. Auxiliary contacts are mountable on right side in types OTM40...2500 or under mechanism cover in types OTM160...2500.

Suitable for switches	Function	degree	Part Number	Product Hierarchy 2200001 Order Code
OTM40...2500	1NO	IP20	OA1G10	1SCA022353R4970
OTM40...125	1NC	IP20	OA8G01	1SCA022744R2240
OTM160...2500	1NC	IP20	OA3G01	1SCA022456R7410
OTM40...2500	1NO	IP20	OA1G10AU	1SCA022436R7910
OTM160...2500	1NC	IP20	OA3G01AU	1SCA022819R5260

Mounting on the right side OTM40...2500

OTM40...125: Maximum 2 auxiliary contact blocks, snap-on mounting

OTM160...2500: Maximum 2+2 auxiliary contact blocks (N.O. or N.C.), snap-on mounting.

Mounting under the mechanism cover, OTM160...2500:

The "test" contacts operate in ON- and OFF-positions as well as when the handle is turned to TEST-position = 45 degrees over the OFF-position. The "test indication" contacts operate only when the handle is turned to TEST-position. See the function table below. The OA1G10 (N.O.) or OA3G01 (N.C.) auxiliary contact blocks can be used as standard auxiliary contacts, "test" or "test indication" contacts. The desired functions are achieved when an auxiliary contact block is installed in a specific place shown in the mounting instruction.

Handle position	Main contacts	Aux./Test contacts N.O.	Test indication contacts N.O.
-----------------	---------------	-------------------------	-------------------------------

Function table of OTM160...2500 auxiliary contacts

Test	OTM 160...250	OTM315...400	OTM630...800	OTM 1000...2500
0	open	open	open	open
I	closed	closed	closed	open

Maximum number of contact blocks, "Aux./test" contacts and "test indication" contacts under the mechanism cover of OTM160...2500

Maximum number of contact blocks	2	4	4	6
Aux./Test contacts	2	-	-	2 ¹⁾
Test indication contacts	-	4	4	4

Auxiliary contacts, IP20, for OTM40...125, 3 pole switches

Contact numbering according to EN 50013. The type and the ordering numbers are for one piece.

Mountable on right side, simultaneous function with the main contacts

OTM40...125F3M _	1NO+1NC	IP20	OA2G11	1SCA022379R8100
------------------	---------	------	--------	-----------------

¹⁾ Early operation test contact

- Early break type auxiliary contacts means that in the switches, the NO aux.contacts break before the main contacts open.

Performance data of auxiliary contacts according to IEC 60947-5-1

For OA1G_, OA2G_, OA3G_, OA8G_

AC15		DC12			DC13	
Ue/[V]	Ie/[A]	Ue/[V]	Ie/[A]	P/[W]	Ie/[A]	P/[W]
230	6	24	10	240	2	50
400	4	72	4	290	0.8	60
415	4	125	2	250	0.55	70
690	2	250	0.55	140	0.27	70
		440	0.1	44		

For OA1G_, OA2G_, OA3G_, OA8G_

Ui/[V]	690
Uimp/[kV]	4
Pollution degree	3
Ith/[A]	16
Cable size	1...2 x 0.75...2.5 mm ²
Maximum fuse	16A / gG
NEMA	A600, R300, wire size: 18 - 14 AWG, 1(2)

Switch disconnectors accessories

Fourth poles

Fourth poles, simultaneous function with the main contacts

Mountable on the side of the switch, operate simultaneous with the main contacts.



OTZ400E



OTZ800E



OTZ1250E



OTZ1600E



OTZ1500E

Suitable for switches	Part Number	Product Hierarchy 2200001 Order Code
OT16...40F3	OTPS40FPN1*)	1SCA105001R1001
OT16...40F3	OTPS40FPN2*)	1SCA105000R1001
OT63...80F3	OTPS80FP	1SCA105461R1001
OT30F3, OT60F3, OT100F3, OT125F3	OTPS125FP	1SCA105099R1001
OT63ML3	OTPS63MLP	1SCA022530R6580
OT125M3	OTPS125MP	1SCA022436R9110
OT160M3	OTPS160MP	1SCA022325R7520
OT16...40FT3	OTPS40FDN1*)	1SCA104999R1001
OT16...40FT3	OTPS40FDN2*)	1SCA104998R1001
OT63...80FT3	OTPS80FD	1SCA105458R1001
OT100...125FT3	OTPS125FD	1SCA105096R1001
OT160EV...250	OTZ250E	1SCA022735R9420
OT315...400	OTZ400E	1SCA022749R1960
OT630...800	OTZ800E	1SCA022807R5100
OT1000...1250	OTZ1250E	1SCA103765R1001
OT1600	OTZ1600E	1SCA100431R1001
OT2000...2500	OTZ2500E	1SCA107931R1001
OT3200...4000	OTZ4000E	1SCA128807R1001
OTM40	OTPS60FP	1SCA111009R1001
OTM63...125	OTPS125FP	1SCA105099R1001

Fourth poles, late-break and early-make

Mountable on the side of the switch.

OT16...40F3	OTPL40FP	1SCA105717R1001
OT63...80F3	OTPL80FP	1SCA105452R1001
OT100...125F3	OTPL125FP	1SCA105090R1001
OT16...40FT3	OTPL40FD	1SCA105716R1001
OT63...80FT3	OTPL80FD	1SCA105451R1001
OT100...125FT3	OTPL125FD	1SCA105088R1001
OTM40	OTPL60FP	1SCA111004R1001
OTM63...125	OTPL125FP	1SCA105090R1001

*) N1=On the left side of the switch
N2=On the right side of the switch

Switch disconnectors accessories

Neutral links



OTPD40FP

Fixed neutral

Mountable on the side of the switch.

Suitable for switches	Part Number	Product Hierarchy 2200001 Order Code
OT16...40F3	OTPN40FP	1SCA104997R1001
OT63...80F3	OTPN80FP	1SCA105457R1001
OT30F3, OT60F3, OT100F3, OT125F3	OTPN125FP	1SCA105094R1001
OT16...40FT3	OTPN40FD	1SCA105718R1001
OT63...80FT3	OTPN80FD	1SCA105456R1001
OT100...125FT3	OTPN125FD	1SCA105092R1001
OTM40	OTPN60FP	1SCA117606R1001
OTM63...125	OTPN125FP	1SCA105090R1001

Detachable neutral

Mountable on the side of the switch.

OT16...40F3	OTPD40FP	1SCA104994R1001
OT63...80F3	OTPD80FP	1SCA105445R1001
OT30F3, OT60F3, OT100F3, OT125F3	OTPD125FP	1SCA105083R1001
OT63...80FT3	OTPD80FD	1SCA105444R1001

Protective earth

Mountable on the side of the switch.

OT16...40F3	OTPE40FP	1SCA104995R1001
OT63...80F3	OTPE80FP	1SCA105448R1001
OT30F3, OT60F3, OT100F3, OT125F3	OTPE125FP	1SCA105128R1001
OT16...40FT3	OTPE40FD	1SCA109884R1001
OT63...80FT3	OTPE80FD	1SCA105446R1001
OT100...125FT3	OTPE125FD	1SCA105698R1001
OTM40	OTPE60FP	1SCA111016R1001
OTM63...125	OTPE125FP	1SCA105090R1001

Neutral links

Mountable on the side of the switch.

Mountable on the side of the switch.	I_n [A]		
OT160EV...250/OTM160...250	250	OXN250	1SCA022752R9950
OT/OTM315...400	400	OXN400	1SCA022770R3060
OT/OTM630...800	800	OXN800T	1SCA022829R0840
OT/OTM1000...2500, OT3200...4000	1250	OXN1250T	1SCA104162R1001

Switch disconnectors accessories

Terminal shrouds



OTS40T3



OTS63T3



OTS125T3



OTS125T1



OTS63T1

OTS40T1



OTS125T1

OTS125T1P

Terminal shrouds for OT/OTM switches, snap-on mounting, transparent

Suitable for switches	Part Number	Product Hierarchy 2200001 Order Code
For 3-pole OT switches		
OT16...40F3, -FT3	OTS40T3	1SCA105317R1001
OT63...80F3, -FT3	OTS63T3	1SCA022353R6750
OT100...125F3, FT3, OT125M3	OTS125T3	1SCA022379R9680
For 3-pole OT switches with terminal clamps OZXL1 or OZXT1		
OT100...125F3	OTS125T3P	1SCA022491R9890
For 1 to 4-pole OT switches, shroud for single pole and for fourth pole		
OTP _ 40F _	OTS40T1	1SCA105314R1001
OTP _ 80F _	OTS63T1	1SCA022353R6910
OTP _ 125F _ , OTPS125MP	OTS125T1	1SCA022379R9760
For 1 to 4-pole OT switches with terminal clamps OZXL1 or OZXT1, shroud for single pole and for fourth pole		
OT100...125F _	OTS125T1P	1SCA022491R9970
For OTM motorized switch-disconnectors		
OTM40...125, 3 pole	OTS125T3	1SCA022379R9680
OTM40...125, for fourth pole	OTS125T1	1SCA022379R9760

Switch disconnectors accessories

Terminal shrouds



OTS400G1S



OTS800G1S



OTS1600G1L



OTS1600G1S



OTS2500G1L



OTS2500G1S

Terminal shrouds for OT/OTM switches, snap-on mounting, grey

Pack of single pole shrouds, IP3X. Transparent shrouds available on request.

Suitable for switches	Description	Part Number	Product Hierarchy 2200001 Order Code
For 3-pole OT/OTM switches			
OT160EV...250/OTM160...250	Long type	OTS250G1L/3	1SCA022731R8150
OT160EV...250/OTM160...250	Short type	OTS250G1S/3	1SCA022731R8310
OT/OTM315...400	Long type	OTS400G1L/3	1SCA022736R8840
OT/OTM315...400	Short type	OTS400G1S/3	1SCA022736R9060
OT/OTM630...800	Long type	OTS800G1L/3	1SCA022776R7890
OT/OTM630...800	Short type	OTS800G1S/3	1SCA022776R8190
OT/OTM1000...1600	Long type	OTS1600G1L/3	1SCA022871R9510
OT/OTM1000...1600	Short type	OTS1600G1S/3	1SCA022871R9600
OT/OTM2000...2500	Long type	OTS2500G1L/3	1SCA107261R1001
OT/OTM2000...2500	Short type	OTS2500G1S/3	1SCA107260R1001
OT3200...4000	Long type	OTS4000G1L/3	1SCA129042R1001
OT3200...4000	Short type	OTS4000G1S/3	1SCA129044R1001

For 4-pole OT/OTM switches

OT160EV...250/OTM160...250	Long type	OTS250G1L/4	1SCA022731R8230
OT160EV...250/OTM160...250	Short type	OTS250G1S/4	1SCA022731R8400
OT/OTM315...400	Long type	OTS400G1L/4	1SCA022736R9490
OT/OTM315...400	Short type	OTS400G1S/4	1SCA022736R9650
OT/OTM630...800	Long type	OTS800G1L/4	1SCA022776R7970
OT/OTM630...800	Short type	OTS800G1S/4	1SCA022776R8270
OT/OTM1000...1600	Long type	OTS1600G1L/4	1SCA022871R9780
OT/OTM1000...1600	Short type	OTS1600G1S/4	1SCA022871R9860
OT/OTM2000...2500	Long type	OTS2500G1L/4	1SCA107262R1001
OT/OTM2000...2500	Short type	OTS2500G1S/4	1SCA107271R1001
OT3200...4000	Long type	OTS4000G1L/4	1SCA129043R1001
OT3200...4000	Short type	OTS4000G1S/4	1SCA129045R1001

Terminal shrouds for terminal clamps

Snap-on mounting, transparent plastic, IP2X.

Suitable for terminal clamps

OZXB2, 2L	OZXB2K	1SCA022264R0010
OZXB3, 4	OZXB3K	1SCA022264R0440
OZXB5, 6	OZXB4K	1SCA022199R2850
OZXB7, 7L	OZXB5K	1SCA022283R8040

Switch disconnectors accessories

Mounting and locking

Phase separators

Grey plastic plate for maintaining 1" clearance between the phases without terminal shrouds. Snap-on mounting.

Suitable for switches	Part Number	Product Hierarchy 2200001 Order Code
OT600U, OT630...800E, 3- and 4-pole	OTB800/6	1SCA022821R7760
OT1000...2500, 3- and 4-pole	OTB1600/6	1SCA100768R1001

Phase barriers

The phase barriers designed for ABB Tmax T4-T5 MCCB's can also be used for OT200...800 switch disconnectors. 3-pole switch disconnectors need 4 barriers and 4-pole switch disconnectors need 6 barriers for full protection.

Suitable for switches	Number of poles	Height [mm]	Cutting width of the phase barrier [mm]	Part Number	Product Hierarchy 2200001 Order Code
OT160EV...250	3	100	55	PB100 low	1SDA054970R1
OT160EV...250	3	200	55	PB200 high	1SDA054972R1
OT160EV...250	4	100	55	PB100 low	1SDA054971R1
OT160EV...250	4	200	55	PB200 high	1SDA054973R1
OT315...400	3	100	67	PB100 low	1SDA054970R1
OT315...400	3	200	67	PB200 high	1SDA054972R1
OT315...400	4	100	67	PB100 low	1SDA054971R1
OT315...400	4	200	67	PB200 high	1SDA054973R1
OT600...800	3	100	90	PB100 low	1SDA054970R1
OT600...800	3	200	90	PB200 high	1SDA054972R1
OT600...800	4	100	90	PB100 low	1SDA054971R1
OT600...800	4	200	90	PB200 high	1SDA054973R1

DIN-rail mounting kit

For mounting a switch fuse into 35 mm DIN-rail

Suitable for switches	Part Number	Product Hierarchy 2200001 Order Code
OT160EV...250E	OSGZD1	1SCA115688R1001

Padlocking adapter

For a padlock with max. 3.5 mm bail.

Suitable for switches	Part Number	Product Hierarchy 2200001 Order Code
OT100...125F and OT125M _	SA1	GJF1 101 903 R000

Door interlock bracket for pistol type handles

Prevents defeating the door interlock.

Suitable for switches	Part Number	Product Hierarchy 2200001 Order Code
For pistol type handles OH _ 45...275	OHZX4	1SCA022467R2470

Switch disconnectors accessories

Terminal clamps



OZXB1L



OZXB2

Terminal clamp sets for Al- and Cu-cables Insulated versions

Suitable for switches	Cable cross section [mm ²]	Part Number	Product Hierarchy 2200001 Order Code
OT63...125, OTM40...125	16...50 Al, 2.5...50 Cu	OZXT1**)	1SCA022469R6310
OT100...125	16...120 Al/Cu	OZXT2	1SCA022620R7200
OT100...125, OTM63...125	2x(16...50) Al/Cu	OZXT3	1SCA022639R0720

Including 0.75...2.5 mm² voltage sensing connection. Voltage sensing wires are not included

OTM40...125	16...50 Al/2.5...50 Cu	OZXT6	1SCA122537R1001
-------------	------------------------	-------	-----------------



OZXB2L



OZXB3

Terminal clamp sets for Al- and Cu-cables

Suitable for switches	Cable cross section [mm ²]	Suitable shroud	Part Number	Product Hierarchy 2200001 Order Code
OT100...125/OTM40...125	10...70	-	OZXL1	1SCA022439R6770
OT100...125/OTM40...125	10...70	-	OZXL1/1	1SCA022469R6220

OZXB type Al/Cu connectors made of stainless steel



OZXB4



OZXB7



OZXB8



OZXB9



OZXB5



OZXB6

OT/OTM160EV...250	10...70	OTS250 _ L	OZXB1L	1SCA022169R2030
OT/OTM160EV...250	10...70	OTS250 _ L	OZXB1L/1	1SCA022194R0030
OT/OTM160EV...250	25...120	OZXB2K	OZXB2	1SCA022119R7610
OT/OTM160EV...250	25...120	OZXB2K	OZXB2/1	1SCA022194R0200
OT/OTM160EV...250	25...120	OZXB2K	OZXB2L	1SCA022158R7750
OT/OTM160EV...250	25...120	OZXB2K	OZXB2L/1	1SCA022194R0460
OT/OTM160EV...250	95...185	OTS250 _ L	OZXB8	1SCA022744R1510
OT/OTM160EV...250	95...185	OTS250 _ L	OZXB8/1	1SCA022744R1600
OT/OTM160EV...250	95...240	OTS250 _ L	OZXB9	1SCA022750R3210
OT/OTM160EV...250	95...240	OTS250 _ L	OZXB9/1	1SCA022750R3300
OT/OTM315...400	25...120	OZXB2K	OZXB2L	1SCA022158R7750
OT/OTM315...400	25...120	OZXB2K	OZXB2L/1	1SCA022194R0460
OT/OTM315...400	95...185	OZXB3K	OZXB3	1SCA022136R8100
OT/OTM315...400	95...185	OZXB3K	OZXB3/1	1SCA022194R0620
OT/OTM315...400	2x(95...185)	OZXB3K	OZXB4	1SCA022137R4760
OT/OTM315...400	2x(95...185)	OZXB3K	OZXB4/1	1SCA022194R0890
OT/OTM315...400	120...240	OZXB5K	OZXB7	1SCA022185R0040
OT/OTM315...400	120...240	OZXB5K	OZXB7/1	1SCA022194R1430
OT/OTM315...400	120...240	OZXB5K	OZXB7L	1SCA022185R7130
OT/OTM315...400	120...240	OZXB5K	OZXB7L/1	1SCA022194R1600
OT/OTM315...400	95...185	OTS400 _ L	OZXB8	1SCA022744R1510
OT/OTM315...400	95...185	OTS400 _ L	OZXB8/1	1SCA022744R1600
OT/OTM315...400	95...240	OTS400 _ L	OZXB9	1SCA022750R3210
OT/OTM315...400	95...240	OTS400 _ L	OZXB9/1	1SCA022750R3300
OT/OTM630...800	120...300	OZXB4K	OZXB5	1SCA022137R2470
OT/OTM630...800	120...300	OZXB4K	OZXB5/1	1SCA022194R1010
OT/OTM630...800	2x(120...300)	OZXB4K	OZXB6	1SCA022137R4920
OT/OTM630...800	2x(120...300)	OZXB4K	OZXB6/1	1SCA022194R1270

**) I_n = 63 A

- Included bolt sets:

OT 160EV...250, OZXE51, M8x25, 6 pcs/package

OT 315...400, OZXE54, M10x30, 6 pcs/package

OT 630...800, OZXE3, M12x40, 6 pcs/package

Switch disconnectors accessories

Terminal clamps

Terminal clamp sets for Al- and Cu-cables



OZXB3



OZXB4



OZXB5



OZXB6



OZXR95

Suitable for switches	Cable cross section [mm ²]	Suitable shroud	Part Number	Product Hierarchy 2200001 Order Code
-----------------------	--	-----------------	-------------	--------------------------------------

OZXB type Al/Cu connectors made of stainless steel

OT/OTM1000...1600	95...185	OTS1600 _L	OZXB3	1SCA022136R8100
OT/OTM1000...1600	95...185	OTS1600 _L	OZXB3/1	1SCA022194R0620
OT/OTM1000...1600	2x(95...185)	OTS1600 _L	OZXB4	1SCA022137R4760
OT/OTM1000...1600	2x(95...185)	OTS1600 _L	OZXB4/1	1SCA022194R0890
OT/OTM1000...1600	120...300	OTS1600 _L	OZXB5	1SCA022137R2470
OT/OTM1000...1600	120...300	OTS1600 _L	OZXB5/1	1SCA022194R1010
OT/OTM1000...1600	2x(120...300)	OTS1600 _L	OZXB6	1SCA022137R4920
OT/OTM1000...1600	2x(120...300)	OTS1600 _L	OZXB6/1	1SCA022194R1270
OT/OTM1000...1600	120...240	OTS1600 _L	OZXB7L	1SCA022185R7130
OT/OTM1000...1600	120...240	OTS1600 _L	OZXB7L/1	1SCA022194R1600
OT/OTM2000...2500	95...185	OTS2500 _L	OZXB3	1SCA022136R8100
OT/OTM2000...2500	95...185	OTS2500 _L	OZXB3/1	1SCA022194R0620
OT/OTM2000...2500	2x(95...185)	OTS2500 _L	OZXB4	1SCA022137R4760
OT/OTM2000...2500	2x(95...185)	OTS2500 _L	OZXB4/1	1SCA022194R0890
OT/OTM2000...2500	120...300	OTS2500 _L	OZXB5	1SCA022137R2470
OT/OTM2000...2500	120...300	OTS2500 _L	OZXB5/1	1SCA022194R1010
OT/OTM2000...2500	2x(120...300)	OTS2500 _L	OZXB6	1SCA022137R4920
OT/OTM2000...2500	2x(120...300)	OTS2500 _L	OZXB6/1	1SCA022194R1270
OT/OTM2000...2500	120...240	OTS2500 _L	OZXB7L	1SCA022185R7130
OT/OTM2000...2500	120...240	OTS2500 _L	OZXB7L/1	1SCA022194R1600
OT3200...4000	95...185	OTS4000 _L	OZXB3	1SCA022136R8100
OT3200...4000	95...185	OTS4000 _L	OZXB3/1	1SCA022194R0620
OT3200...4000	2x(95...185)	OTS4000 _L	OZXB4	1SCA022137R4760
OT3200...4000	2x(95...185)	OTS4000 _L	OZXB4/1	1SCA022194R0890
OT3200...4000	120...300	OTS4000 _L	OZXB5	1SCA022137R2470
OT3200...4000	120...300	OTS4000 _L	OZXB5/1	1SCA022194R1010
OT3200...4000	2x(120...300)	OTS4000 _L	OZXB6	1SCA022137R4920
OT3200...4000	2x(120...300)	OTS4000 _L	OZXB6/1	1SCA022194R1270
OT3200...4000	120...240	OTS4000 _L	OZXB7L	1SCA022185R7130
OT3200...4000	120...240	OTS4000 _L	OZXB7L/1	1SCA022194R1600

OZXR type Al/Cu connectors made of stainless steel and copper

OT160EV...250	25...95	OTS250 _L	OZXR95	1SCA115530R1001
OT200...250	95...185	OTS250 _L	OZXR185	1SCA115531R1001
OT315...400	2x(95...185)	-	OZXR2X185	1SCA115534R1001
OT315...400	185...300	-	OZXR300	1SCA115533R1001
OT630...800	2x(185...300)	-	OZXR2X300	1SCA115535R1001
OT315...400	95...240	OTS400 _L	OZXR240	1SCA115532R1001

OZXP type Al/Cu connectors made of tin plated aluminium profile

OT160EV...250	6...95	OTS250 _L	OZXP95	1SCA115539R1001
OT315...400	35...240	-	OZXP240	1SCA115542R1001
OT630...800	2x(70...240)	OTS800 _L	OZXP2X240	1SCA115544R1001

- Included bolt sets:

- OT1000...1250, OZXE11, M12x50, 6 pcs/package
- OT1600, OZXE14, M12x60, 6 pcs/package
- OT2000.2500, OZXE14, M12x60, 12 pcs/package
- OT3200...4000, OZXE14, M12x60, 24 pcs/package

Switch disconnectors accessories

Terminal clamps



OZXR70

Terminal clamp sets for Al- and Cu-cables for UL/CSA switches

Suitable for switches	Cable cross section [mm ²]	Part Number	Product Hierarchy 2200001 Order Code
Terminal set Al/Cu	6X(2,5...35)	OZXM2/1	1SCA101164R1001
Connector for power cable		OZXP120	1SCA115540R1001
Connector for power cable		OZXP150	1SCA115541R1001
Connector for power cable		OZXP300	1SCA115543R1001
Connector for power cable		OZXR70	1SCA115529R1001
Terminal set		OZXT6	1SCA122537R1001

Switch disconnectors accessories

Conversion kits for front operated switch combinations



OWP6D40



OWP6D80



OWP6D125



OTZW8



OWC6D40



OWC6D125



OTZW25

OTZW26

OTZW17



OTZW24

6 and 8-pole switch mechanism

Suitable for switches	Shaft distance mm	Part Number	Product Hierarchy Order Code
-----------------------	-------------------	-------------	------------------------------

Parallel attachment for connecting two 3- or 4-pole switches

The switches work simultaneously. Mounting directly on the top of two switch-disconnectors, snap-on mounting. The switch size is printed on stickers for the different switch sizes. The fourth pole or auxiliary contacts can be mounted on the outer side of the combination.

OT16...40		OWP6D40	1SCA022865R4800
OT63...80		OWP6D80	1SCA022865R5010
OT100...125		OWP6D125	1SCA022865R5100

Attachment levers for connecting two 3- or 4-pole switches

Attachment levers provided with holes, enabling different shaft distances.

The combination switches can be mounted either horizontally or vertically. Two 3 or 4-pole switches needed.

OT16...40	45+(0...12)x15	OTZW8	1SCA022421R7600
OT63...80	60+(0...11)x15	OTZW8	1SCA022421R7600
OT100...125	75+(0...10)x15	OTZW8	1SCA022421R7600

Change-over switch mechanism

Two switches connected with a mechanism operating into I-O-II -positions. Two 3 or 4-pole switches needed.

Change-over kits

The modular change-over switches can be built by adding a compact snap-on kit on the top of two switch-disconnectors. The kits do not require any additional foot print area, only the height is increased 12 mm.

Suitable for switches	Shaft distance mm	Part Number	Product Hierarchy Order Code
OT16...40	OXS6 _ , OXP6 _	OWC6D40	1SCA022865R4550
OT63...80	OXS6 _ , OXP6 _	OWC6D80	1SCA022865R4630
OT100...125	OXS6 _ , OXP6 _	OWC6D125	1SCA104494R1001

Attachment levers

OT160EV...250	210+(0...18)x20	OTZW25	1SCA022778R6920
---------------	-----------------	--------	-----------------

See the table of the handles and shafts included in the conversion kits on next page.

By-pass switch mechanism

A combination of two switches in parallel with a third switch for change-over operation to by-pass, for example, a breaker for maintenance. The by-pass attachment can be used together with another combination attachment. Three 3 or 4-pole switches needed.

Suitable for switches	Shaft distance mm	Part Number	Product Hierarchy Order Code
OT16...125	Between 1 and 2: 90+(0...6)x15 Between 1 and 3: 90+(0...10)x15	OTZW17	1SCA022387R1620
OT160EV...250	Between 1 and 2: 210+(0...9)x20 Between 1 and 3: 250+(0...9)x20	OTZW26	1SCA022778R7060

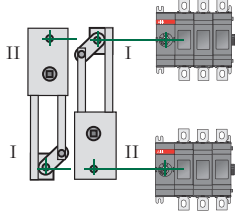
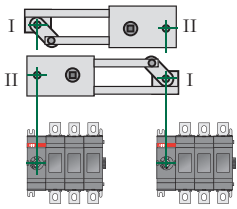
Mechanical interlock mechanism

Prevents one switch from moving to ON-position, if the other is not in OFF-position. When mounted upside down, prevents one switch from moving to OFF-position, if the other is not in ON-position. (UPS-usage, make-before-break).

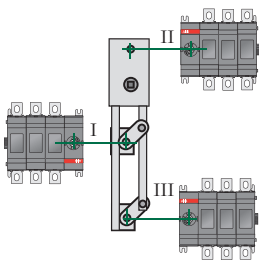
OT16...125	100	OTZW24	1SCA022639R5610
OT160...250	190	OTZW10	1SCA022431R5280

Switch disconnectors accessories

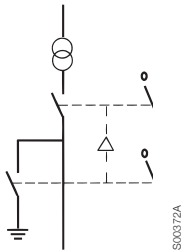
Conversion kits for front operated switch combinations



Change-over switches



Bypass switches



Mechanical interlock

The shafts and handles for conversion kits

Conversion kit type	To be ordered separately		Included in conversion kit delivery		The standard handle / shaft of one of the combined switches can be used	
	Shaft	Handle	Shaft	Handle	Shaft	Handle
6 and 8-pole switches						
OWP6D40	x (shaft dia 6 mm)	OHBS1A _	-	-	-	-
OWP6D80	x (shaft dia 6 mm)	OHBS1A _	-	-	-	-
OWP6D125	x (shaft dia 6 mm)	OHBS1A _	-	-	-	-
OWP6D40	x (shaft dia 6 mm)	OHB45J6	-	-	-	-
OWP6D80	x (shaft dia 6 mm)	OHB45J6	-	-	-	-
OWP6D125	x (shaft dia 6 mm)	OHB45J6	-	-	-	-
OTZW8	x	x	-	-	-	-

Change-over switches

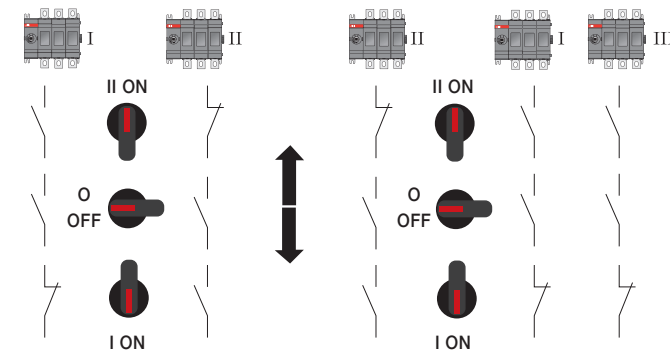
OWC6D40	x (shaft dia 6 mm)	OHBS2AJE011	-	-	-	-
OWC6D80	x (shaft dia 6 mm)	OHBS2AJE011	-	-	-	-
OWC6D125	x (shaft dia 6 mm)	OHBS2AJE011	-	-	-	-
OWC6D40	x (shaft dia 6 mm)	OHB45J6E311	-	-	-	-
OWC6D80	x (shaft dia 6 mm)	OHB45J6E311	-	-	-	-
OWC6D125	x (shaft dia 6 mm)	OHB45J6E311	-	-	-	-
OTZW25	-	-	x (2 pcs)	OHB95J12E011	-	-

By-pass switches

OTZW17	-	-	x (3 pcs)	OHB80J6E011	-	-
OTZW26	-	-	x (3 pcs)	OHB95J12E011	-	-

Mechanical interlock

OTZW24	-	-	-	-	x	x
OTZW10	-	-	-	-	x	x



Change-over switches

Bypass switches

Switch disconnectors accessories

Mechanical and electrical interlocks



OTZT1A

Mechanism interlock kits and electrical interlocks

OT160EV... 4000 switch-disconnectors can be interlocked in the OFF-position using padlocks or a mechanical interlock kit mounted on the mechanism. The diameter of the lock bail can be max 8 mm.

Suitable for switches	Part Number	Product Hierarchy 2200001 Order Code
Interlocking in the OFF-position		
OT160EV...250	OTZT1A	1SCA106522R1001
OT315...400	OTZT2A	1SCA106523R1001
OT600U, OT630...800E	OTZT3A	1SCA106525R1001
OT800U, OT1000...4000	OTZT4A	1SCA106526R1001



OTZT2A

Suitable for switches	Part Number	Product Hierarchy 2200001 Order Code
Interlocking in the OFF- and ON-positions		
OT160EV...250	OTZT1L	1SCA106527R1001
OT315...400	OTZT2L	1SCA106529R1001
OT600U, OT630...800E	OTZT3L	1SCA106530R1001
OT800U, OT1000...4000	OTZT4L	1SCA106531R1001



OTZT3A

Mechanical interlock between OT earthing switch and OT1000...2500 switch disconnector or Emax/T7 breaker

The operation of both the earthing switch and the switch-disconnector / breaker into ON-position at the same time is mechanically prevented by using two cables between the earthing switch and main switch or breaker. Cable length 1370 mm.

Mechanical interlock kit

Suitable for switches	Description	Part Number	Product Hierarchy 2200001 Order Code
OT1000...2500		OTZL4	1SCA116554R1001



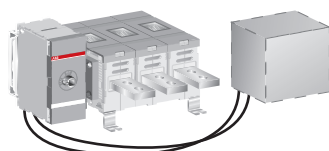
OTZL4

Cable set

OT1000...2500, E-max/T7	Including 2 pcs 1370 mm long cables	-	1SDA062127R1
-------------------------	-------------------------------------	---	--------------

Electrical interlock kit

Suitable for switches	Description	Part Number	Product Hierarchy 2200001 Order Code
OT1000...2500E	Locking in OFF-position	OTZM4A	1SCA118510R1001
OT1000...2500E	Locking in OFF- and \perp -position	OTZM4L	1SCA118511R1001



OT_EM_
+ OTZL4
OT switch +
OTZL4 or
Emax, T7

Switch disconnectors accessories

Electrical interlocks

Coils for OTZT_ and OTZM_ electrical interlocks

By installing a coil inside the housing of the interlock kit the switch can be interlocked electrically in the OFF-position or both in the OFF- and ON-positions. The electrical interlock works using the "closed circuit principle", meaning that when the control voltage is not connected to the coil. The switches provided with A-type interlocks cannot be turned to the ON-position and switches with L-type interlocks cannot be turned to the ON- or OFF- positions.

Suitable for switches	Part Number	Product Hierarchy 2200001 Order Code
AC coils		
24 VAC, 60Hz	PDAL2/24AC60Hz	1SCA111350R1001
110 VAC, 50Hz	PDAL2/110AC50Hz	1SCA106543R1001
110 VAC, 60Hz	PDAL2/110AC60Hz	1SCA107100R1001
120 VAC, 60 Hz	PDAL2/120AC60Hz	1SCA111353R1001
208 VAC, 60Hz	PDAL2/208AC60Hz	1SCA107101R1001
230 VAC, 50Hz	PDAL2/230AC50Hz	1SCA107102R1001
240 VAC, 60Hz	PDAL2/240AC60Hz	1SCA111356R1001
DC coils		
24 VDC	PDAL2/24DC	1SCA106542R1001
48 VDC	PDAL2/48DC	1SCA107103R1001
60 VDC	PDAL2/60DC	1SCA107104R1001
110 VDC	PDAL2/110DC	1SCA107105R1001
125 VDC	PDAL2/125DC	1SCA111338R1001
220 VDC	PDAL2/220DC	1SCA112503R1001
Technical data for the coil		
Operating voltage	$U = 0.7...1.1 \times U_n$	
Operating ambient temperature	-40°C...+65°C	
Power consumption	with AC 6.5 W with DC 9 VA	

OT change-over and transfer switches

16 ... 2500 A 690V

Manual operation



OT16F	OT63F	OT100F
OT25F	OT80F	OT125F
OT40F		

I_n /A	25	32	40	63	80	115	125
I_n /AC-22A, < 415V	16	25	40	63	80	100	125
I_n /AC-23A, < 415V	16	20	23	45	75	80	90

I_n /A
 I_n /AC-22A, < 415V
 I_n /AC-23A, < 415V
 I_n /AC-21B, < 415V

Motor operation



OTM160E_C	OTM160E_WC	OTM315E_C
OTM200E_C	OTM200E_WC	OTM400E_C
OTM250E_C	OTM250E_WC	

I_n /A	160	200	250	160	200	250	315	400
I_n /AC-22A, < 415V	160	200	250	160	200	250	315	400
I_n /AC-23A, < 415V	160	200	250	160	200	250	315	400
I_n /AC-21B, < 415V								

Automatic operation



OTM160E_C_D	OTM160E_WC_D
OTM200E_C_D	OTM200E_WC_D
OTM250E_C_D	OTM250E_WC_D

I_n /A	160	200	250	160	200	250
I_n /AC-22A, < 415V	160	200	250	160	200	250
I_n /AC-23A, < 415V	160	200	250	160	200	250

Accessories

Optional handles

Terminal shrouds

Extended shafts

Connecting accessories

Auxiliary contacts

Locking accessories



OT160E
OT200E
OT250E

OT160E_W
OT200E_W
OT250E_W

OT315E
OT400E

OT630E
OT800E

160 200 250
160 200 250
160 200 250

160 200 250
160 200 250
160 200 250

315 400
315 400
315 400

630 800
630 800
630 800



OT1000E
OT1250E

OT1600E

OT2000E
OT2500E

1000 1250
1000 1250
1000 1250

1600
1600
1250

2000 2500
2000 2500
2000 2500



OTM630E_C
OTM800E_C

OTM1000E_C
OTM1250E_C

OTM1600E_C

OTM2000E_C
OTM2500E_C

630 800
630 800
630 800

1000 1250
1000 1250
1000 1250

1600
1600
1250

2000 2500
2000 2500
2000 2500



OTM315E_C_D
OTM400E_C_D

OTM630E_C_D
OTM800E_C_D

OTM1000E_C_D
OTM1250E_C_D

OTM1600E_C_D

315 400
315 400
315 400

630 800
630 800
630 800

1000 1250
1000 1250
1000 1250

1600
1600
1250

Growing importance of a secure power supply

As industrial processes and IT applications diversify, a secure power supply is becoming an increasingly important asset in the drive to cut production and maintenance costs. In emergency situations, the system logic of power distribution can become complex with mechanical devices looking after making, breaking, conducting and isolating power. Loads may sometimes need to be transferred from one supply to another — this will be the case when energy use is restricted or when the supply source is overloaded.

High performance level

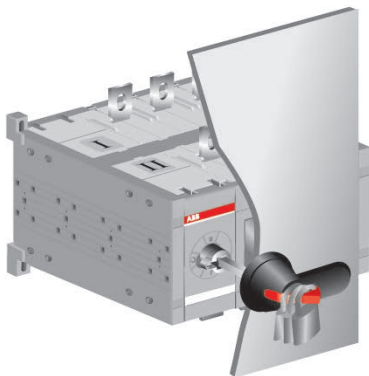
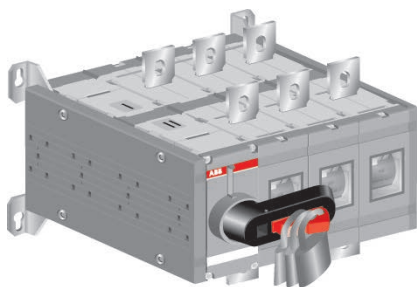
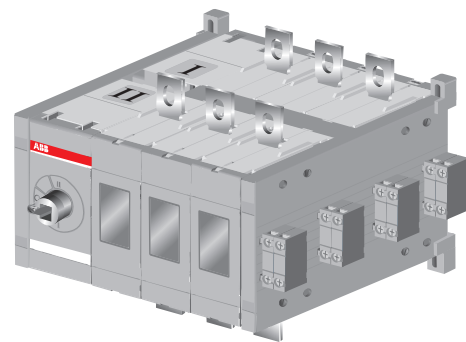
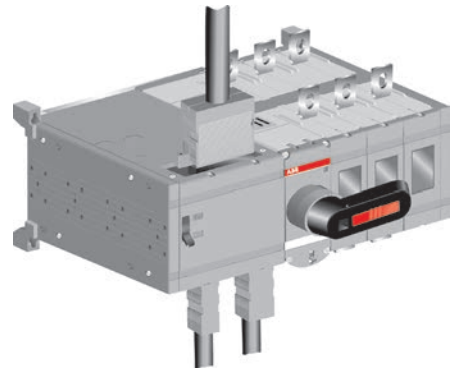
In change-over applications where the loaded switch may need to be operated remotely, adequate durability has been ensured by testing against the IEC 60947-6-1 standard in the specification of endurance requirements.

Utilization categories:

- AC-31 for non-inductive or slightly inductive load
- AC-33 for motor loads or mixed loads including motors

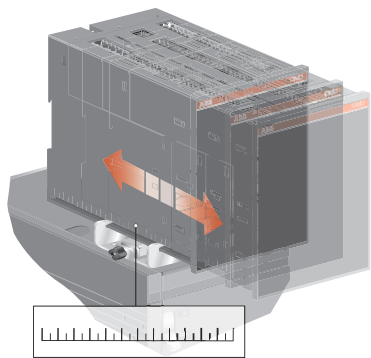
ABB change-over switches are rated according to IEC 60947-6-1 standard

The motorized change-over switches have snap-on control wire connections. Auxiliary contacts can be snapped-on to the sides of the switches and the power terminals can be connected in parallel with bridging bars.



The automatic transfer switches feature the automatic control unit which can be adjusted according to the mounting depth of the panel. Voltage sensing kit is installed at the factory thus reducing the expensive and time consuming installation work.

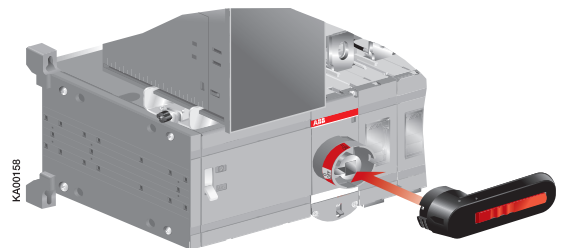
- ▶ Quick and easy installation
– savings in time and expenses



Safe and reliable

ABB automatic transfer switches ensure service continuity with a number of built-in, integrated safety features. The change-over mechanism, for example, offers three stable positions which ensure isolation of the two asynchronous power supplies. This eliminates any risk of short-circuit between them, even in the presence of transient voltages. The automatic transfer switches are equipped with handle for manual operation in case of emergency.

- ▶ Inbuilt safety



Compact design

The design of ABB change-over switches is advanced and compact, allowing installation in confined spaces at considerable savings. Compact double layer construction.

- ▶ Minimizing the need for space

Change-over switches

Manual OT16...315

Change-over switches, 3 & 4 pole, I-O-II -indication

Includes terminal clamps IP20. Handle and shaft has to be ordered separately.



OT16...40F3C



OT63...80F3C



OT100...125F3C

Rated current / Rate Power

AC-21A...AC-22A		AC-23A		Number of Poles	Part Number	Product Hierarchy 2200004 Order Code
Up to 415V I/[A]	400V S/[kVA]	400-415V I/[A], P/[kW]				
16	11	16/7.5	3	OT16F3C	1SCA104816R1001	
			4	OT16F4C	1SCA104831R1001	
25	17	20/9	3	OT25F3C	1SCA104863R1001	
			4	OT25F4C	1SCA104877R1001	
40	27	23/11	3	OT40F3C	1SCA104913R1001	
			4	OT40F4C	1SCA104934R1001	
63	43	45/22	3	OT63F3C	1SCA105338R1001	
			4	OT63F4C	1SCA105369R1001	
80	55	75/37	3	OT80F3C	1SCA105402R1001	
			4	OT80F4C	1SCA105418R1001	
100	70	80/37	3	OT100F3C	1SCA105008R1001	
			4	OT100F4C	1SCA105019R1001	
125	86	90/45	3	OT125F3C	1SCA105037R1001	
			4	OT125F4C	1SCA105054R1001	

Manual Change-over switches, 3 & 4 pole, I-O-II -indication

Including a black plastic IP65 I-O-II pistol type handle, padlockable in the O-position, door interlock in the I- & II-positions and when padlocked.



OT160...250E03CP



OT160...250E03WCP



OT160...250E04CP



OT160...250E04WCP

160	110	160/90	3	OT160E03CP	1SCA022772R6510
				OT160E12CP	1SCA022776R9080
				OT160E03WCP	1SCA022772R8210
			4	OT160E04CP	1SCA022775R9440
				OT160E13CP	1SCA022777R0170
				OT160E04WCP	1SCA022775R0220
200	135	200/110	3	OT200E03CP	1SCA022771R7520
				OT200E12CP	1SCA022776R8510
				OT200E03WCP	1SCA022772R8720
			4	OT200E04CP	1SCA022771R7280
				OT200E13CP	1SCA022777R0250
				OT200E04WCP	1SCA022775R0650
250	170	250/140	3	OT250E03CP	1SCA022771R3450
				OT250E12CP	1SCA022776R9320
				OT250E03WCP	1SCA022772R8300
			4	OT250E04CP	1SCA022775R4640
				OT250E13CP	1SCA022777R0330
				OT250E04WCP	1SCA022775R0810

Cable cross section of the change-over switches

OT16...40F_C	0.75 ... 10
OT63...80F_C	1.5 ... 35
OT100...125F_C	10 ... 70

Shafts, handle and bolt kits included as standard

Suitable for switches	Shaft	Handle	Bolt kit
OT160...250_C	OMP6x161	OH865J6E011	M8x25

Change-over switches

Manual OT315...3200

Manual Change-over switches, 3 & 4 pole, I-O-II -indication

Including a black plastic IP65 I-O-II pistol type handle, padlockable in the O-position, door interlock in the I- & II-positions and when padlocked.



OT315E03CP



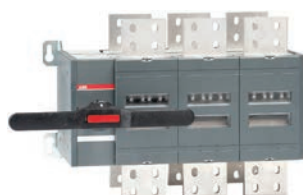
OT1000...1250E22CP



OT1600E03CP



OT2000...2500E03CP



OT3200E03CP

Rated current / Rate Power			Number of Poles	Part Number	Product Hierarchy 2200003 Order Code
AC-21A...AC-22A	AC-23A				
Up to 415V I/[A]	400V S/[kVA]	400-415V I/[A], P/[kW]			
315	215	315/160	3	OT315E03CP	1SCA022772R6780
				OT315E12CP	1SCA022776R9910
			4	OT315E04CP	1SCA022775R7150
				OT315E13CP	1SCA022777R0410
400	275	400/220	3	OT400E03CP	1SCA022771R8500
				OT400E12CP	1SCA022776R9590
			4	OT400E04CP	1SCA022771R8680
				OT400E13CP	1SCA022777R0500
630	435	630/355	3	OT630E03CP	1SCA022785R6050
				OT630E12CP	1SCA022785R8690
			4	OT630E04CP	1SCA022785R6130
				OT630E13CP	1SCA022785R9070
800	550	800/450	3	OT800E03CP	1SCA022785R6300
				OT800E12CP	1SCA022785R8850
			4	OT800E13CP	1SCA022785R6210
				OT800E04CP	1SCA022785R9230
1000	680	1000/560	3	OT1000E03CP	1SCA022872R1680
				OT1000E12CP	1SCA103287R1001
			4	OT1000E04CP	1SCA022872R1500
				OT1000E13CP	1SCA103291R1001
1250	850	1250/710	3	OT1000E22CP	1SCA103289R1001
				OT1250E03CP	1SCA022872R0790
				OT1250E12CP	1SCA103308R1001
			4	OT1250E04CP	1SCA022872R1250
1600	1000	1250/710		OT1250E22CP	1SCA103313R1001
				OT1250E13CP	1SCA103311R1001
			3	OT1600E03CP	1SCA022872R1840
				OT1600E12CP	1SCA103293R1001
2000	1350	-		OT1600E04CP	1SCA022872R2310
				OT1600E13CP	1SCA103306R1001
			4	OT1600E22CP	1SCA103303R1001
				OT2000E03CP	1SCA103908R1001
2500	1700	-	3	OT2000E12CP	1SCA103915R1001
				OT2000E04CP	1SCA103912R1001
			4	OT2000E13CP	1SCA103918R1001
				OT2000E22CP	1SCA103953R1001
3200	2170	-	3	OT2500E03CP	1SCA105615R1001
				OT2500E12CP	1SCA103891R1001
			4	OT2500E04CP	1SCA103906R1001
				OT2500E13CP	1SCA103895R1001
				OT2500E22CP	1SCA103902R1001
			3	OT3200E03CP	1SCA129156R1001
			4	OT3200E04CP	1SCA129158R1001

Change-over switches

Manual fast transition OT160...800

Manual Change-over switches, 3 & 4 pole, I-O-II -indication

Including a black plastic IP65 I-O-II pistol type handle, shaft and bolt set for the cable connection. Handle not padlockable and no door interlocking. Operating angle 90° to achieve fast switching. Minimum OFF-time between transfer from I-II or II-I is 20ms.



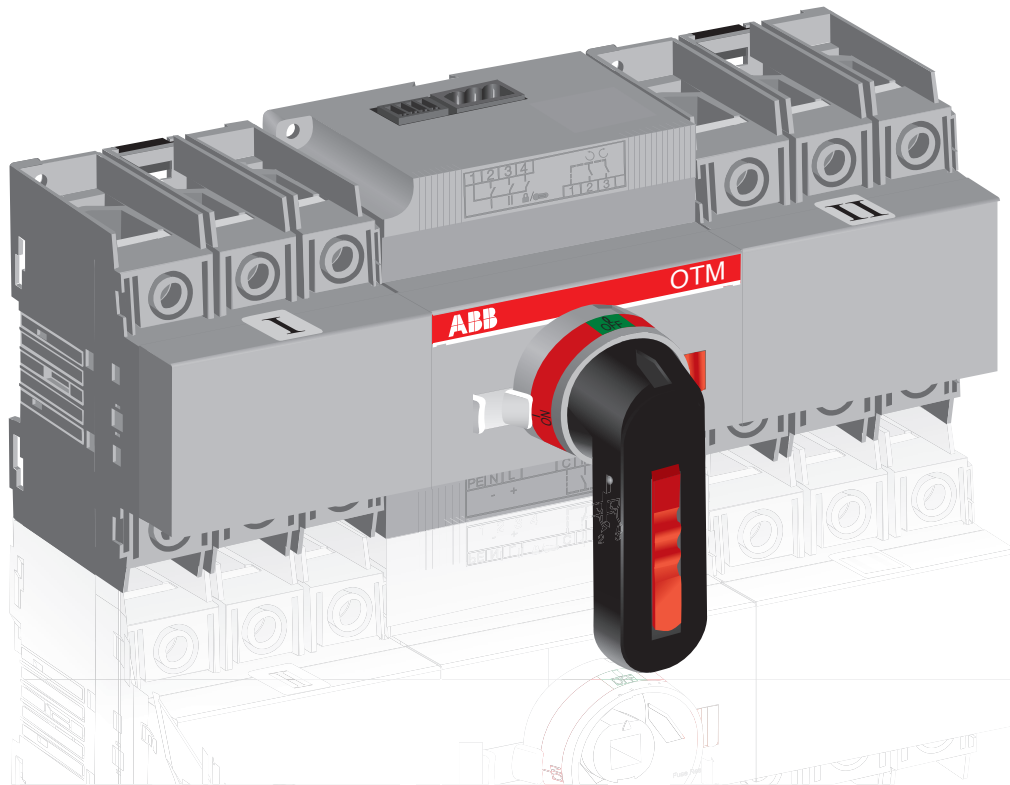
Rated current / Rate Power			Number of Poles	Part Number	Product Hierarchy 2200004 Order Code
AC-21A...AC-22A		AC-23A			
Up to 415V I/[A]	400V S/[kVA]	400-415V I/[A], P/[kW]			
160	110	160/90	3	OT160E03CFP	1SCA106086R1001
				OT160E12CFP	1SCA108496R1001
				OT160E03WCFP	1SCA108484R1001
			4	OT160E04CFP	1SCA108489R1001
				OT160E13CFP	1SCA108502R1001
				OT160E04WCFP	1SCA108492R1001
200	135	200/110	3	OT200E03CFP	1SCA108520R1001
				OT200E12CFP	1SCA108535R1001
				OT200E03WCFP	1SCA107578R1001
			4	OT200E04CFP	1SCA108528R1001
				OT200E13CFP	1SCA108543R1001
				OT200E04WCFP	1SCA108531R1001
250	170	250/140	3	OT250E03CFP	1SCA108591R1001
				OT250E12CFP	1SCA108609R1001
				OT250E03WCFP	1SCA107577R1001
			4	OT250E04CFP	1SCA108600R1001
				OT250E13CFP	1SCA108615R1001
				OT250E04WCFP	1SCA108606R1001
315	215	315/160	3	OT315E03CFP	1SCA108629R1001
				OT315E12CFP	1SCA108633R1001
				OT315E04CFP	1SCA114535R1001
			4	OT315E13CFP	1SCA106436R1001
400	275	400/220	3	OT400E03CFP	1SCA106360R1001
				OT400E12CFP	1SCA108652R1001
				OT400E04CFP	1SCA108650R1001
			4	OT400E13CFP	1SCA106441R1001
630	435	630/355	3	OT630E03CFP	1SCA106915R1001
				OT630E12CFP	1SCA106963R1001
				OT630E04CFP	1SCA108753R1001
			4	OT630E13CFP	1SCA106988R1001
800	550	800/450	3	OT800E03CFP	1SCA106916R1001
				OT800E12CFP	1SCA106966R1001
				OT800E04CFP	1SCA106945R1001
			4	OT800E13CFP	1SCA106983R1001

Shafts, handle and bolt kits included as standard

Suitable for switches	Shaft	Handle	Bolt kit
OT160...250_C	OXF6x161	OHB65J6E011	M8x25
OT315...400_C	OXF12x166	OHB95J12E011	M10x30
OT630...800_C	OXF12x185	OHB125J12E011	M12x40
OT1000...2500_C		OHB200J12PE011	M12x60
OT160...250_CF	OXF6x161	OHB65J6E69	M8x25
OT315...400_CF	OXF12x166	OHB95J12E69	M10x30
OT630...800_CF	OXF12x185	OHB145J12E69	M12x40

OTM...125_C

Improves your performance



Assembly made easy

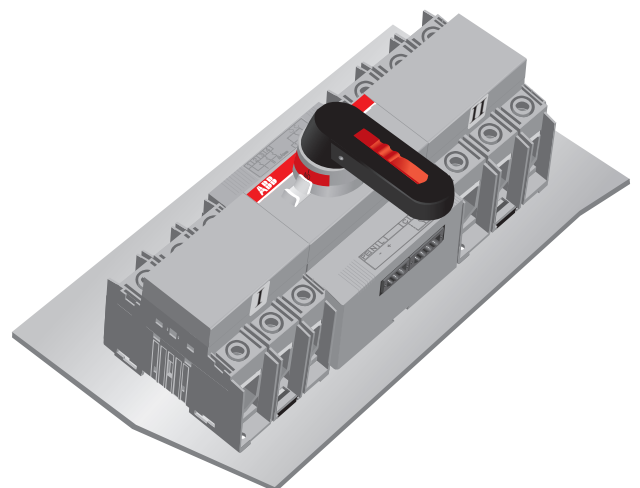
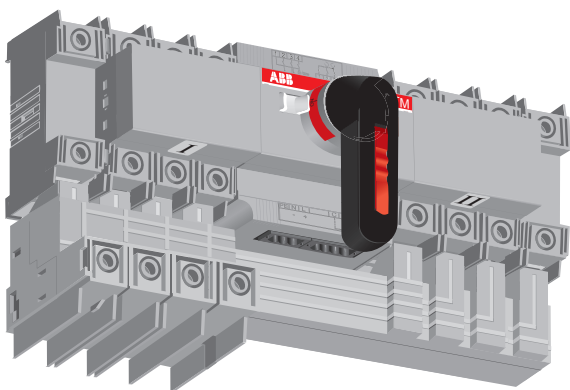
- Bridging bars for quick wiring
- Tunnel terminals ensure a tight and good connection every time
- Snap on accessories are easy to install
- Mounting in any direction

► Fast and reliable installation every time

Most compact solution

- The very small footprint area of OTM allows it to be installed in confined spaces

► Reduced size means savings in costs



OTM...125_C

Improves your performance

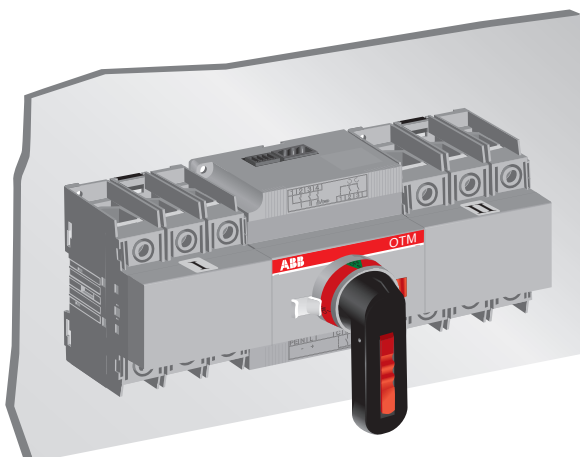
Effortless assembly, safety features, optimized performance and small size enable OTM40...125_C motorized change-over switches to improve the performance of your application!

ABB offers a wide range of components for change-over applications. Meaning that all components can be sourced from one supplier.

Performance that meets your needs

- Tested according to IEC 60947-3 and IEC 60947-6-1
- Full ratings according to utilization categories AC22A/32B which are the typical categories in GenSet applications
- A wide supply voltage range provides enhanced logistics and effortless design work
- 3- and 4-pole switches as standard

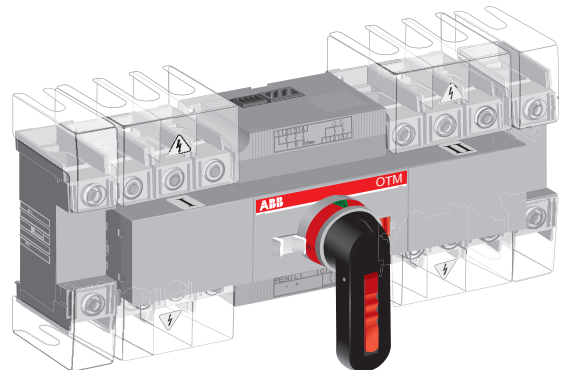
► Designed for your application



Safe to use

- OTM is not only a transfer device, it is also an isolator providing safe maintenance work
- Reliable position indication is always guaranteed
- Finger-safe construction prevents contact with live parts
- Mechanical and electrical locking options - safety is always considered

► Safe and reliable operation and maintenance



Change-over switches

Motorised OTM40...125_C & OTM160...200

OTM40...125_C Change-over switches, motor operation, I-O-II operation, open transition

Including handle for manual operation, a handle storage clip and male connectors for control circuits.
Cable cross section for OTM40 is 2.5...25mm² or 2 x 2.5...16mm² and for OTM63...125 is 10...70mm²



Rated Current AC21A .. AC22A 415V [A]	Rated Power 400V [kVA]	Rated Current AC31B / AC33B 415V [A]	No of Poles	Part Number	Product Hierarchy 2200003 Order Code
40	27	40/40	3	OTM40F3CMA230V	1SCA120096R1001
			4	OTM40F4CMA230V	1SCA120102R1001
63	43	63/63	3	OTM63F3CMA230V	1SCA120095R1001
			4	OTM63F4CMA230V	1SCA120101R1001
80	55	80/80	3	OTM80F3CMA230V	1SCA120093R1001
			4	OTM80F4CMA230V	1SCA120100R1001
100	70	100/80	3	OTM100F3CMA230V	1SCA120071R1001
			4	OTM100F4CMA230V	1SCA120098R1001
125	86	125/80	3	OTM125F3CMA230V	1SCA120070R1001
			4	OTM125F4CMA230V	1SCA120097R1001

OTM160...200 Motorised Change-over switches, 3 & 4 pole, I-O-II indication

Including a handle for manual operation, bolt kit with nut and washers for all terminals and male connectors for control circuits.
Types OTM160-2500E_ include a clamp for the handle and spare fuses. Types OTM160-250E_W are equipped with extended phase distance.



OTM160...250E3C_



OTM160...250E3WC_

Rated Current AC-21A... AC-22A Up to 415V I/[A]	Rated Power 400V S/[kVA]	Rated Current AC-31B AC-33B 415V I/[A]	Number of Poles	Motor voltage Ue	Part Number	Product Hierarchy 2200003 Order Code				
160	110	160/160	3	220-240v AC	OTM160E3CM230C	1SCA121216R1001				
				110-125v AC/DC	OTM160E3CM110C	1SCA022845R8530				
				48v DC	OTM160E3CM48D	1SCA022845R8450				
				24v DC	OTM160E3CM24D	1SCA022845R8110				
				220-240v AC	OTM160E3WCM230C	1SCA022846R4000				
				110-125v AC/DC	OTM160E3WCM110C	1SCA022846R3450				
				48v DC	OTM160E3WCM48D	1SCA022846R3370				
				24v DC	OTM160E3WCM24D	1SCA022846R3290				
				220-240v AC	OTM160E4CM230C	1SCA022848R1510				
				110-125v AC/DC	OTM160E4CM110C	1SCA022846R1080				
				48v DC	OTM160E4CM48D	1SCA022846R0940				
				24v DC	OTM160E4CM24D	1SCA022846R0860				
			4	220-240v AC	OTM160E4WCM230C	1SCA022846R7440				
				110-125v AC/DC	OTM160E4WCM110C	1SCA022846R7360				
				48v DC	OTM160E4WCM48D	1SCA022846R7280				
				24v DC	OTM160E4WCM24D	1SCA022846R7100				
				200	135	200/200	3	220-240v AC	OTM200E3CM230C	1SCA121209R1001
								110-125v AC/DC	OTM200E3CM110C	1SCA022845R8880
								48v DC	OTM200E3CM48D	1SCA022845R8700
								24v DC	OTM200E3CM24D	1SCA022845R8290
								220-240v AC	OTM200E3WCM230C	1SCA121294R1001
								110-125v AC/DC	OTM200E3WCM110C	1SCA022846R3880
								48v DC	OTM200E3WCM48D	1SCA022846R3700
								24v DC	OTM200E3WCM24D	1SCA022846R3610
220-240v AC	OTM200E4CM230C	1SCA022846R1590								
110-125v AC/DC	OTM200E4CM110C	1SCA022846R1410								
48v DC	OTM200E4CM48D	1SCA022846R1320								
24v DC	OTM200E4CM24D	1SCA022846R1240								
4	220-240v AC	OTM200E4WCM230C	1SCA022846R7870							
	110-125v AC/DC	OTM200E4WCM110C	1SCA022846R7790							
	48v DC	OTM200E4WCM48D	1SCA022846R7610							
	24v DC	OTM200E4WCM24D	1SCA022846R7520							

Change-over switches

Motorised OTM250...630

OTM250...630 Motorised Change-over switches, 3 & 4 pole, I-O-II indication

Including a handle for manual operation, bolt kit with nut and washers for all terminals and male connectors for control circuits. Types OTM160-2500E_ include a clamp for the handle and spare fuses. Types OTM160-250E_W are equipped with extended phase distance.



OTM250E4CM230C



OTM315...400E3C_



OTM315...400E4C_



OTM630...800E3C_

Rated Current	Rated Power	Rated Current	Number of Poles	Motor voltage U _e	Part number	Product Hierarchy 2200003 Order Code				
AC-21A... AC-22A Up to 415V I/[A]	400V S/[kVA]	AC-31B AC-33B 415V I/[A]								
250	170	250/250	3	220-240v AC	OTM250E3CM230C	1SCA022845R9260				
				110-125v AC/DC	OTM250E3CM110C	1SCA022845R9180				
				48v DC	OTM250E3CM48D	1SCA022845R9000				
				24v DC	OTM250E3CM24D	1SCA022845R8370				
				220-240v AC	OTM250E3WCM230C	1SCA022846R4770				
				110-125v AC/DC	OTM250E3WCM110C	1SCA022846R4690				
			4	48v DC	OTM250E3WCM48D	1SCA022846R4510				
				24v DC	OTM250E3WCM24D	1SCA022846R4420				
				220-240v AC	OTM250E4CM230C	1SCA022846R1910				
				110-125v AC/DC	OTM250E4CM110C	1SCA022846R1830				
				48v DC	OTM250E4CM48D	1SCA022846R1750				
				24v DC	OTM250E4CM24D	1SCA022846R1670				
315	215	315/315	3	220-240v AC	OTM315E3CM230C	1SCA022847R1210				
				110-125v AC/DC	OTM315E3CM110C	1SCA022847R1120				
				48v DC	OTM315E3CM48D	1SCA022847R2610				
				24v DC	OTM315E3CM24D	1SCA022847R0910				
				220-240v AC	OTM315E4CM230C	1SCA022847R2970				
				110-125v AC/DC	OTM315E4CM110C	1SCA022847R2790				
			4	48v DC	OTM315E4CM48D	1SCA022847R1040				
				24v DC	OTM315E4CM24D	1SCA022847R2520				
				400	275	400/400	3	220-240v AC	OTM400E3CM230C	1SCA022847R1630
								110-125v AC/DC	OTM400E3CM110C	1SCA022847R1550
								48v DC	OTM400E3CM48D	1SCA022847R1470
								24v DC	OTM400E3CM24D	1SCA022847R1390
220-240v AC	OTM400E4CM230C	1SCA022847R3250								
110-125v AC/DC	OTM400E4CM110C	1SCA022847R3170								
4	48v DC	OTM400E4CM48D	1SCA022847R3090							
	24v DC	OTM400E4CM24D	1SCA022847R2950							
	400	275	400/400				3	220-240v AC	OTM630E3CM230C	1SCA103567R1001
								110-125v AC/DC	OTM630E3CM110C	1SCA022873R1050
								48v DC	OTM630E3CM48D	1SCA022873R1300
								24v DC	OTM630E3CM24D	1SCA022873R1210
220-240v AC				OTM630E4CM230C	1SCA022873R1990					
110-125v AC/DC				OTM630E4CM110C	1SCA022873R1810					
4				48v DC	OTM630E4CM48D	1SCA022873R2110				
				24v DC	OTM630E4CM24D	1SCA022873R2020				

Handles included as standard, cable cross section

Suitable for switches	Cable cross section [mm ²]	Handle
OTM40F _ CM	2.5...25 or 2 x 2.5...16	OHB65D6CM
OTM63...125F _ CM	10 ... 70	OHB65D6CM

Change-over switches

Motorised OTM800...1600

OTM800...1600 Motorised Change-over switches, 3 & 4 pole, I-O-II -indication

Including a handle for manual operation, bolt kit with nut and washers for all terminals and male connectors for control circuits.

Types OTM160-2500E_ include a clamp for the handle and spare fuses. Types OTM160-250E_W are equipped with extended phase distance.



OTM630...800E3C_



OTM1000...1250E2C_



OTM1000...1250E3C_



OTM1600E2C_



OTM1600E3C_

Rated Current	Rated Power	Rated Current	Number of Poles	Motor voltage U _e	Part Number	Product Hierarchy 2200003 Order Code
AC-21A... AC-22A Up to 415V I[A]	400V S/[kVA]	AC-31B AC-33B 415V I[A]				
800	550	720/650	3	220-240v AC	OTM800E3CM230C	1SCA103570R1001
				110-125v AC/DC	OTM800E3CM110C	1SCA022872R5750
				48v DC	OTM800E3CM48D	1SCA022872R6050
				24v DC	OTM800E3CM24D	1SCA022872R5910
			4	220-240v AC	OTM800E4CM230C	1SCA022872R8340
				110-125v AC/DC	OTM800E4CM110C	1SCA022872R8260
				48v DC	OTM800E4CM48D	1SCA022872R8510
				24v DC	OTM800E4CM24D	1SCA022872R8420
1000	680	1000/1000	3	220-240v AC	OTM1000E3CM230C	1SCA112677R1001
				110-125v AC/DC	OTM1000E3CM110C	1SCA113653R1001
				48v DC	OTM1000E3CM48D	1SCA113663R1001
				24v DC	OTM1000E3CM24D	1SCA113672R1001
			4	220-240v AC	OTM1000E4CM230C	1SCA112703R1001
				110-125v AC/DC	OTM1000E4CM110C	1SCA113656R1001
				48v DC	OTM1000E4CM48D	1SCA113666R1001
				24v DC	OTM1000E4CM24D	1SCA113675R1001
1250	850	1250/1000	3	220-240v AC	OTM1250E3CM230C	1SCA112676R1001
				110-125v AC/DC	OTM1250E3CM110C	1SCA113652R1001
				48v DC	OTM1250E3CM48D	1SCA113662R1001
				24v DC	OTM1250E3CM24D	1SCA113671R1001
			4	220-240v AC	OTM1250E4CM230C	1SCA112702R1001
				110-125v AC/DC	OTM1250E4CM110C	1SCA113655R1001
				48v DC	OTM1250E4CM48D	1SCA113665R1001
				24v DC	OTM1250E4CM24D	1SCA113674R1001
1600	100	-	3	220-240v AC	OTM1600E3CM230C	1SCA112678R1001
				110-125v AC/DC	OTM1600E3CM110C	1SCA113654R1001
				48v DC	OTM1600E3CM48D	1SCA113664R1001
				24v DC	OTM1600E3CM24D	1SCA113673R1001
			4	220-240v AC	OTM1600E4CM230C	1SCA112704R1001
				110-125v AC/DC	OTM1600E4CM110C	1SCA113657R1001
				48v DC	OTM1600E4CM48D	1SCA113667R1001
				24v DC	OTM1600E4CM24D	1SCA113676R1001

Change-over switches

Motorised OTM2000...2500

OTM2000...2500 Motorised Change-over switches, 3 & 4 pole, I-O-II -indication

Including a handle for manual operation, bolt kit with nut and washers for all terminals and male connectors for control circuits. Types OTM160-2500E_ include a clamp for the handle and spare fuses. Types OTM160-2500E_W are equipped with extended phase distance.



OTM2000...2500E2C_



OTM2000...2500E3C_

Rated Current	Rated Power	Rated Current	Number of Poles	Motor voltage U _e	Part Number	Product Hierarchy 2200003 Order Code
AC-21A... AC-22A Up to 415V I/[A]	400V S/[kVA]	AC-31B AC-33B 415V I/[A]				
2000	1350	-	3	220-240v AC	OTM2000E3CM230C	1SCA112709R1001
				110-125v AC/DC	OTM2000E3CM110C	1SCA113683R1001
				48v DC	OTM2000E3CM48D	1SCA113689R1001
				24v DC	OTM2000E3CM24D	1SCA113695R1001
			4	220-240v AC	OTM2000E4CM230C	1SCA112712R1001
				110-125v AC/DC	OTM2000E4CM110C	1SCA113685R1001
				48v DC	OTM2000E4CM48D	1SCA113691R1001
				24v DC	OTM2000E4CM24D	1SCA113697R1001
2500	1700	-	3	220-240v AC	OTM2500E3CM230C	1SCA112710R1001
				110-125v AC/DC	OTM2500E3CM110C	1SCA113684R1001
				48v DC	OTM2500E3CM48D	1SCA113690R1001
				24v DC	OTM2500E3CM24D	1SCA113696R1001
			4	220-240v AC	OTM2500E4CM230C	1SCA112713R1001
				110-125v AC/DC	OTM2500E4CM110C	1SCA113686R1001
				48v DC	OTM2500E4CM48D	1SCA113692R1001
				24v DC	OTM2500E4CM24D	1SCA113698R1001

Shafts, handle and bolt kits included as standard

Suitable for switches	Handle	Bolt kit
OTM160...250	OTV250ECMK	M8x25
OTM315...400	OTV400ECMK	M10x30
OTM630...800	OTV800ECMK	M12x40
OTM1000...2500	OTV1000ECMK	M12x60

Change-over switches

Automatic transfer switches, IEC-types OTM160...1600

Automatic transfer switches, I-O-II operation, open transition

Including a handle for manual operation, PCB connectors, bolt kit with nut and washers for all terminals. Types OTM160...1600_C_D_ including a voltage sensing kit on the bottom of the switch, available on request, please add the letter "B" to the type code. Types OTM160-1600E include a clamp for the handle and spare fuses. Types OTM160...250_WC_D_ are equipped with extended phase distance.



OTM400E4C3D230C

Automatic operation, OTM_C3D_ types, voltage sensing on the top. Including dual power source for the motor operator. Motor operator voltage $U_e = 220-240V$

Automatic operation, OTM_C3D_ types, voltage sensing on the top. Motor operator voltage $U_e = 220-240V$ AC



OTM800E4C3D230C



OTM1600E4WC3D230C

Rated Current AC-21A... AC-22A Up to 415V I/[A]	Rated Power S/[kVA]	Rated Current AC-31B AC-33B 415V I/[A]	Number of Poles	Part Number	Product Hierarchy 2200003 Order Code
160	110	160/160	4	OTM160E3C8D230C	1SCA106305R1001
200	135	200/200		OTM200E4C2D230C	1SCA106309R1001
250	170	250/250		OTM250E3C8D230C	1SCA106313R1001
315	215	315/315		OTM315E4C8D230C	1SCA106317R1001
400	275	400/400		OTM400E4C8D230C	1SCA106318R1001
630	435	650/650		OTM630E4C8D230C	1SCA108726R1001
800	550	720/650		OTM800E4C8D230C	1SCA108728R1001
1000	680	1000/1000		OTM1000E4C8D230C	1SCA112852R1001
1200	850	1250/1000		OTM1200E4C8D230C	1SCA112851R1001
1600	1000	1600/1000		OTM1600E4C8D230C	1SCA112848R1001

Automatic transfer switches, I-O-II operation, open transition

Including a handle for manual operation, PCB connectors, bolt kit with nuts and washers for all terminals. Types OTM160...1600_C_D_ including a voltage sensing kit on the top of the switch. Voltage sensing kit on the bottom of the switch, available on request, please add letter "B" to the type code. For example, OTM160E4C2D230 - OTM160E4CB2D230C. Types OTM160...1600E_ include a storage clip for the handle and spare fuses. Types OTM160...250_WC_D_ are equipped with extended phase distance.

Automatic operation, OTM_C8D_ types, voltage sensing on the top Motor operator voltage $U_e = 220...240$ V AC)

Rated Current AC-21A... AC-22A Up to 415V I/[A]	Rated Power S/[kVA]	Rated Current AC-31B AC-33B 415V I/[A]	Number of Poles	Part Number	Product Hierarchy 2200003 Order Code
160	110	160/160	4	OTM160E4C8D230C	1SCA106230R1001
200	135	200/200		OTM200E4C8D230C	1SCA101021R1001
250	170	250/250		OTM250E4C8D230C	1SCA101022R1001
315	215	315/315		OTM315E4C8D230C	1SCA101063R1001
400	275	400/400		OTM400E4C8D230C	1SCA101064R1001
630	435	650/650		OTM630E4C8D230C	1SCA108453R1001
800	550	720/650		OTM800E4C8D230C	1SCA108455R1001
1000	680	1000/1000		OTM1000E4C8D230C	1SCA112861R1001
1250	850	1250/1000		OTM1250E4C8D230C	1SCA112864R1001
1600	1000	1600/1000		OTM1600E4C8D230C	1SCA112867R1001

Change-over switches

Manual change-over switches OTM160...2500

OTM160...315 Manual change-over switches, I - I+II - II -operation, closed transition Including dual power source for the motor operator. Motor operator voltage $U_e = 220-240v$ AC

Including a handle for manual operation, PCB connectors, bolt kit with nut and washers for all terminals. Types OTM160...1600_C_D_ including a voltage sensing kit on the bottom of the switch, available on request, please add the letter "B" to the type code. Types OTM160-1600E include a clamp for the handle and spare fuses. Types OTM160...2500_WC_D_ are equipped with extended phase distance.



OTM160E03CLP



OTM250E03CLP



OTM315E03CLP



OTM630E13CLP



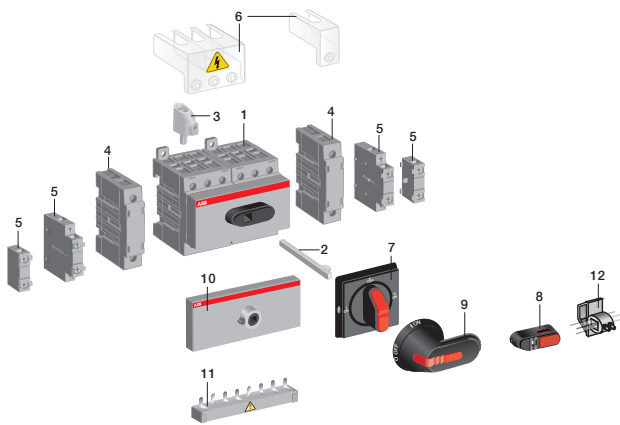
OTM1250E03CLP

Rated Current AC-21A... AC-22A Up to 415V I[A]	Rated Power 400V S/[kVA]	Rated Current AC-31B AC-33B 415V I[A]	Number of Poles	Part Number	Product Hierarchy 2200003 Order Code
160	110	160/160	3	OTM160E03CLP	1SCA108468R1001
				OTM160E12CLP	1SCA108498R1001
				OTM160E03WCLP	1SCA108486R1001
			4	OTM160E04CLP	1SCA108491R1001
				OTM160E13CLP	1SCA108504R1001
				OTM160E04WCLP	1SCA108494R1001
200	135	200/200	3	OTM200E03CLP	1SCA108522R1001
				OTM200E12CLP	1SCA108537R1001
				OTM200E03WCLP	1SCA108525R1001
			4	OTM200E04CLP	1SCA108530R1001
				OTM200E13CLP	1SCA108548R1001
				OTM200E04WCLP	1SCA108532R1001
250	170	250/250	3	OTM250E03CLP	1SCA108593R1001
				OTM250E12CLP	1SCA108611R1001
				OTM250E03WCLP	1SCA107576R1001
			4	OTM250E04CLP	1SCA108605R1001
				OTM250E13CLP	1SCA108618R1001
				OTM250E04WCLP	1SCA108607R1001
315	215	315/315	3	OTM315E03CLP	1SCA108630R1001
				OTM315E12CLP	1SCA106419R1001
			4	OTM315E04CLP	1SCA106404R1001
				OTM315E13CLP	1SCA106443R1001
400	275	400/400	3	OTM400E03CLP	1SCA108641R1001
				OTM400E12CLP	1SCA106423R1001
			4	OTM400E04CLP	1SCA106405R1001
				OTM400E13CLP	1SCA106447R1001
630	435	650/650	3	OTM630E03CLP	1SCA106917R1001
				OTM630E12CLP	1SCA106968R1001
			4	OTM630E04CLP	1SCA106947R1001
				OTM630E13CLP	1SCA106981R1001
800	550	720/650	3	OTM800E03CLP	1SCA106928R1001
				OTM800E12CLP	1SCA106973R1001
			4	OTM800E04CLP	1SCA106952R1001
				OTM800E13CLP	1SCA106976R1001
1000	680	1000/1000	3	OTM1000E03CLP	1SCA117221R1001
				OTM1000E12CLP	1SCA117608R1001
			4	OTM1000E04CLP	1SCA117224R1001
				OTM1000E13CLP	1SCA117677R1001
1250	850	1250/1000	3	OTM1250E03CLP	1SCA117222R1001
				OTM1250E12CLP	1SCA117610R1001
			4	OTM1250E04CLP	1SCA117225R1001
				OTM1250E13CLP	1SCA117678R1001
1600	1000	1600/1000	3	OTM1600E03CLP	1SCA117223R1001
				OTM1600E12CLP	1SCA117611R1001
			4	OTM1600E04CLP	1SCA117226R1001
				OTM1600E13CLP	1SCA117615R1001
2000	1350	-	3	OT2000E03CLP	1SCA117250R1001
				OT2000E12CLP	1SCA117617R1001
			4	OT2000E04CLP	1SCA117251R1001
				OT2000E13CLP	1SCA117620R1001
2500	1700	-	3	OT2500E03CLP	1SCA117249R1001
				OT2500E12CLP	1SCA117619R1001
			4	OT2500E04CLP	1SCA117252R1001
				OT2500E13CLP	1SCA117622R1001

Accessories

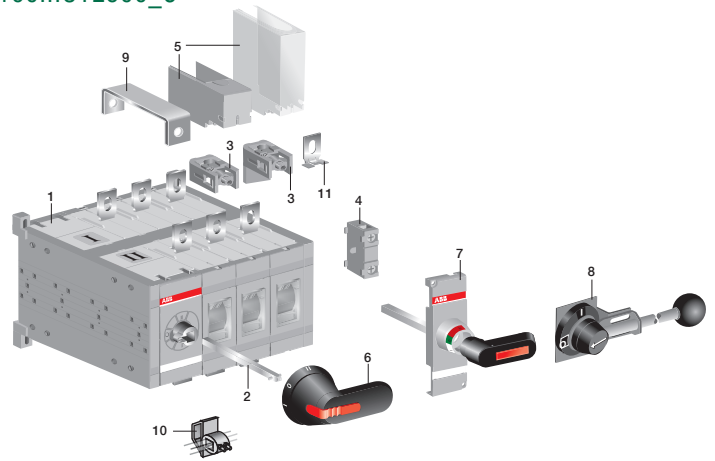
Selection overview

OT16F...OT125F_C



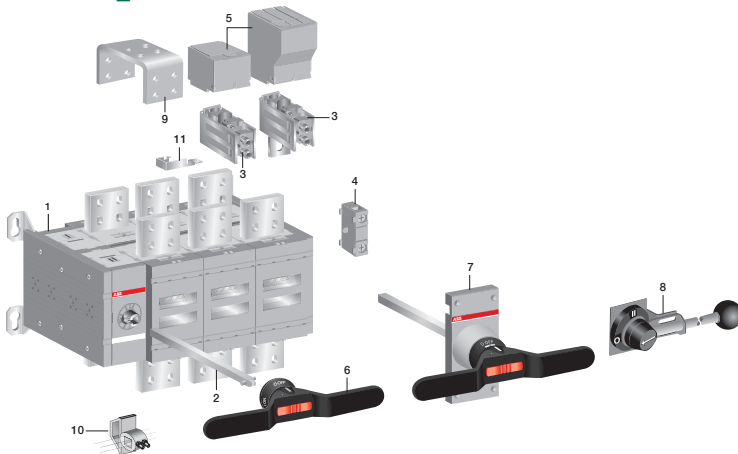
- 1 Manual change-over switch | 2 Extended shaft | 3 Terminal clamp | 4 Fourth pole | 5 Auxiliary contact
6 Terminal shroud | 7 Selector type handle | 8 Handle knob | 9 Pistol type handle | 10 Conversion kit
11 Parallel connection kit | 12 Cam attachment for interlocking

OT160...OT2500_C



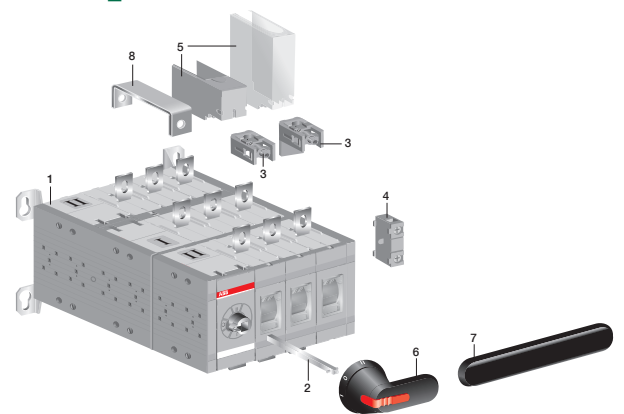
- 1 Manual change-over switch | 2 Extended shaft | 3 Terminal clamp | 4 Auxiliary contact
5 Terminal shroud | 6 Pistol type handle | 7 Direct mounting type handle | 8 Metallic handle
9 Bridging bar | 10 Cam attachment for interlocking | 11 Voltage sensing connector

OT3200_C



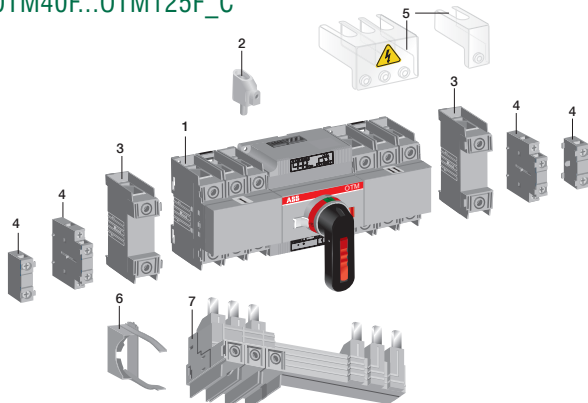
- 1 Manual change-over switch | 2 Extended shaft | 3 Terminal clamp | 4 Auxiliary contact
5 Terminal shroud | 6 Pistol type handle | 7 Direct mounting type handle | 8 Metallic handle
9 Bridging bar | 10 Cam attachment for interlocking | 11 Voltage sensing connector

OT160...OT800_Y



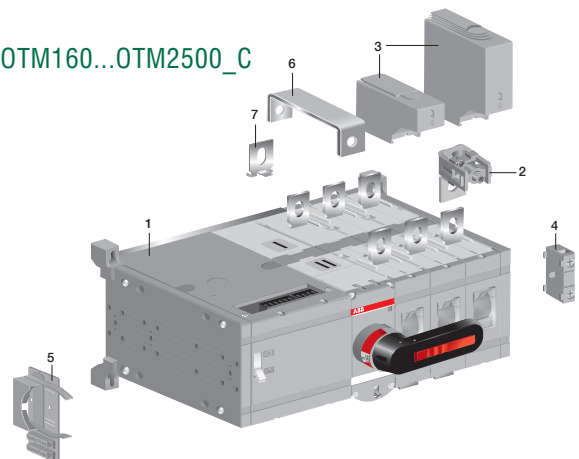
- 1 Manual bypass switch | 2 Extended shaft | 3 Terminal clamp | 4 Auxiliary contact
5 Terminal shroud | 6 Pistol type handle | 7 Handle extension | 8 Bridging bar

OTM40F...OTM125F_C



- 1 Motorized change-over switch | 2 Terminal clamp | 3 Fourth pole | 4 Auxiliary contact
5 Terminal shroud | 6 Handle storage clip | 7 Parallel connection kit

OTM160...OTM2500_C

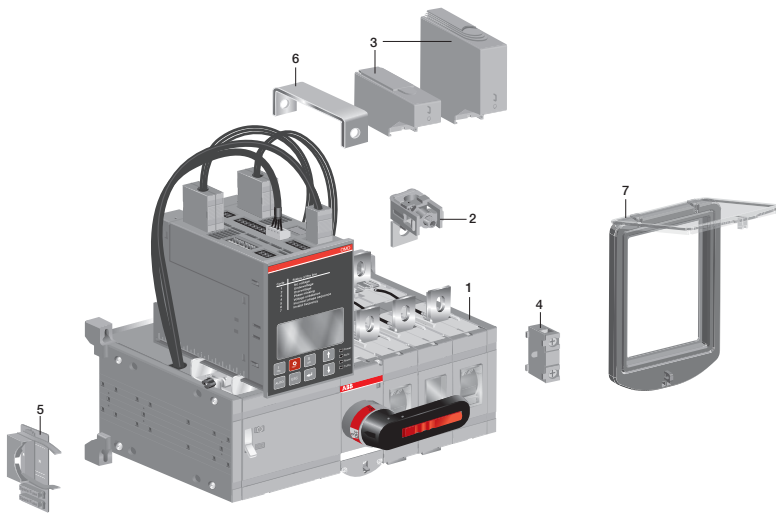


- 1 Motorized change-over switch | 2 Terminal clamp | 3 Terminal shroud | 4 Auxiliary contact
5 Storage for handle and fuses | 6 Bridging bar | 7 Voltage sensing connectors

Accessories

Selection overview

OTM160...OTM1600_D_C



- 1 Automatic transfer switch | 2 Terminal clamp | 3 Terminal shroud | 4 Auxiliary contact
5 Storage for handle and fuses | 6 Bridging bar | 7 Cover plate

Change-over switches

Operating handles

Pistol handles

Plastic IP65, operating angle 90°, handle not padlockable or door interlocked.



OHB_

Colour	Suitable for switch	Product Hierarchy 2200003 Order Code
Indication I - O - II		
Black	OT160...250_CF	OHB65J6E69
	OT315...400_CF	OHB65J12E69
	OT630...800_CF	OHB145J12E69
Indication I - I+II - II		
Black	OT160...250_CL	OHB65J6E65
	OT315...400_CL	OHB65J12E65
	OT630...800_CL	OHB145J12E65
	OT1000...2500_CL	OHB200J12E65

Handles, direct mounting

Plastic handle with 3 padlocks in O-position. Includes a shaft and a mechanism cover.
Types -ECMK include also microswitches. Shaft included.



OTV_

Indication I - O - II		
Black		OTV250ECK
		OTV400ECK
		OTV800ECK
		OTV1000ECK
Black		OTV250ECMK
		OTV400ECMK
		OTV800ECMK
		OTV1000ECMK

Plastic handle operating angle 90°, handle not padlockable. Includes a shaft and a mechanism cover. Indication I - O - II

Black	OT160...250_CF	OTV250ECFK
	OT315...400_CF	OTV400ECFK
	OT630...800_CF	OTV800ECFK

Plastic handle operating angle 90°, handle not padlockable. Includes a shaft and a mechanism cover. Indication I - I+II - II

Black	OT160...250_CL	OTV250ECLK
	OT315...400_CL	OTV400ECLK
	OT630...800_CL	OTV800ECLK
	OT1000...2500CL	OTV1000ECLK

Accessories

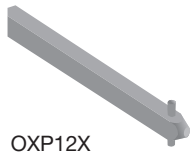
Description	Suitable for switch	Part No	Order Code
Handle storage clip	OTM40...125F	OTVS0	1SCA117524R1001
Handle and spare fuse storage clip	OTM160...250E_	-	OTVS1
	OTM315...2500E_	-	OTVS2

Connection kits

Suitable for switch	Cable cross section [mm ²]	Part No	Order Code
OTM40...125F3C_	10 ... 70	OMZC03	OMZC03
OTM40...125F4C_		OMZC04	OMZC04

Change-over switches

Extended shafts



OXP12X

Shafts for selector type handles 6mm

Shaft length	H [mm]	Suitable for switches	Product Hierarchy 2200003 Order Code
85	103..114	OT16...40	OX6x85
105	123..134		OX6x105
120	138..149		OX6x120
130	148..159		OX6x130
85	121..131	OT63...80	OX6x85
105	141..151		OX6x105
120	156..166		OX6x120
130	166..176		OX6x130
85	120..130	OT100...125	OX6x85
105	140..150		OX6x105
120	155..165		OX6x120
130	165..175		OX6x130

Shafts for pistol type handles 6mm

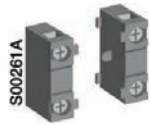
150	164..175	OT16...40	OX6x150
170	184..195		OX6x170
265	279..290		OX6x265
400	414..425		OX6x400
150	183..194	OT63...80	OX6x150
170	203..214		OX6x170
265	298..309		OX6x265
400	433..444		OX6x400
150	192..206	OT100...125	OX6x150
170	212..226		OX6x170
265	307..321		OX6x265
400	442..456		OX6x400
90	166..214	OT160...250E_C	OX6x90
130	209..254		OX6x130
161	240..285		OX6x161
210	289..334		OX6x210
290	369..414		OX6x290
360	439..484		OX6x360

Shafts for pistol type handles 12mm

107	209..266	OT160...250E_C	OX12x107
148	243..307		OX12x148
166	261..325		OX12x166
185	280..344		OX12x185
250	345..409		OX12x250
280	375..439		OX12x280
325	420..484		OX12x325
395	490..554		OX12x395
465	560..624		OX12x465
148	287..355	OT630...800E_C	OX12x148
185	324..422		OX12x185
250	389..487		OX12x250
325	464..562		OX12x325
395	534..632		OX12x395
465	604..702	OX12x465	
166	339..425	OT1000...2500E_C	OX12x166
250	423..509		OX12x250
325	498..584		OX12x325
395	568..654		OX12x395
465	638..724		OX12x465

Change-over switches

Auxiliary contacts, 4th poles, terminal shrouds



OA1G_
OA3G01



OA2G11



OTP_63_



OTS_L_



OTS_S_

Auxiliary contact blocks, IP20 Contact numbering according to EN50013

Suitable for switches	Installation side	Function	Product Hierarchy 2200001 Order Code
Aux Contacts for snap-on mounting to the side of the switch IP20. I_{th} = 16A, cable cross section max. 2 x 2.5 mm².			
OT16...125F_C	Right	1NO	OA1G10
		1NC	OA18G01
	Left	1NO	OA7G10
		1NC	OA1G01
OT63...125F3C	Either	1NO/1NC	OA2G11
Aux Contacts mounting on the side of the switch maximum 8 blocks IP20.			
OT160...2500E_C_	Right	1NO	OA1G10
		1NC	OA2G11

Fourth poles Mountable on the side of the switch.

Suitable for switches	Rated current/ up to 415v I[A]		Product Hierarchy 2200001 Order Code
	AC-21A/AC-22A	AC-23A	
Simultaneous function with the main contacts			
OT16...40	40	23	OTPS40FPN1
			OTPS40FPN2
OT63...80	80	75	OTPS80FP
OT100...125	125	90	OTPS125FP

Terminal shrouds Snap-on mounting, transparent

Suitable for switches	Product Hierarchy 2200001 Order Code
For 3-pole switches	
OT 16...40	OTS40T3
OT63...80	OTS63T3
OT 100...125	OTS125T3
For 4th pole	
OTPS40FPN1	OTS40T1
OTPS40FPN2	
OTPS80FP	OTS63T1
OTPS125FP	OTS125T1

Change-over switches

Connection kits

Parallel connection kits

Suitable for switches	Max cable size [mm ²]	Product Hierarchy 2200003 Order Code
OT16...40F3C	6 (fine stranded), 10 (stranded)	OZXA33
OT16...40F4C		OZXA32
OT63...80F3C	25	OZXA38
OT63...80F4C		OZXA39
OT100...125F3C	50	OZXA40
OT100...125F4C		OZXA41

Bridging Bars

Suitable for switches	Number of poles	
OT_160...250E_C	3	OTZC13
	4	OTZC14
OT_315...400E_C	3	OTZC23
	4	OTZC24
OT_600...800E_C	3	OTZC33
	4	OTZC34
OT_1000...1250E_C	3	OTZC43
	4	OTZC44
OT_1600E_C	3	OTZC53
	4	OTZC54
OT_2000...2500E_C	3	OTZC63
	4	OTZC64

Reversing Bars

Suitable for switches	
OT_160...250E_C	OTZR1
OT_315...400E_C	OTZR2
OT_600...800E_C	OTZR3

Contact us

ABB Ltd

Tower Court
Foleshill Enterprise Park
Courtaulds Way
Coventry CV6 5NX

Tel: 0333 999 9900

Fax: 0333 999 9901

Email: LV.Enquiries@gb.abb.com

Twitter: @ABBUKLVP

www.abb.co.uk/lowvoltage

Note: We reserve the right to make technical changes or modify the contents of this document without prior notice. With regard to purchase orders, the agreed particulars shall prevail. ABB Ltd does not accept any responsibility whatsoever for potential errors or possible lack of information in this document.

We reserve all rights in this document and in the subject matter and illustrations contained therein. Any reproduction, disclosure to third parties or utilization of its contents – in whole or in parts – is forbidden without prior written consent of ABB Ltd.

Copyright © 2015 ABB Ltd

All rights reserved

© Copyright ABB Ltd 9AKK106354A1403